

INSTRUCTION MANUAL
AX90068-1001



BUILDER'S KIT

YETI™

SCORE® TROPHY TRUCK®

1/10th SCALE ELECTRIC 4WD



 **axial®**

www.axialracing.com

YETI

CAUTIONS

 **To prevent serious personal injury and/or property damage, operate all remotely controlled models in a responsible manner as outlined herein.**

CHOOSE THE RIGHT PLACE TO OPERATE YOUR R/C MODEL.

- Do not run on public streets or highways. This could cause serious accidents, personal injuries, and/or property damage.
- Never run R/C models near people or animals.
- To avoid injury, do not run in confined spaces.
- Do not run where loud noises can disturb others, such as hospitals and residential areas.
- Never run indoors. There is a high risk of fire and/or damage.


INSPECT YOUR MODEL BEFORE OPERATION.

- Make sure that all screws and nuts are properly tightened. It is also a good idea to use removable thread lock wherever metal screws go into metal, especially for engine mounts and the engine pilot shaft.
- Always use fresh batteries for your transmitter and for your receiver to avoid losing control of the model.
- Always test the brakes and throttle before starting your engine to avoid losing control of the model.
- Make sure no one else is using the same radio frequency as you are using.

AFTER OPERATION OF YOUR R/C MODEL

- Disconnect the battery from the ESC, then turn off the transmitter. This will prevent runaways.
- Be careful when handling batteries, they will be hot after running.
- Replace any batteries that have been dented or have frayed wires, short circuits can cause fire.
- Be sure to keep your R/C model clean and free of excess dirt and grease, this will increase the life.

VORSICHT!

 **Um Verletzungen an Personen und/oder Sachschäden zu vermeiden, sollten alle ferngesteuerten Modelle sorgfältig und verantwortungsbewusst bedient werden, wie nachfolgend beschrieben.**

Wählen Sie den richtigen Platz zum Fahren

- Fahren Sie niemals auf öffentlichen Straßen. Dies könnte Verkehrsunfälle, Personen schäden oder Sachschäden verursachen.
- Fahren Sie niemals in der Nähe von anderen Personen oder Tieren.
- Fahren Sie niemals auf belebten Straßen.
- Fahren Sie nie in der Nähe von Wohnhäusern oder Krankenhäusern. Der Lärm könnte andere Personen stören.
- Fahren Sie niemals in Innenräumen. Dort könnte etwas beschädigt werden.

Überprüfen Sie Ihr Modell, bevor Sie es in Betrieb nehmen.

- Gehen Sie sicher, dass alle Schrauben und Muttern festgezogen sind. Verwenden Sie überall dort Schrauben-Sicherungslack, wo Metallschrauben in ein Metallgewinde greifen, besonders bei den Motorhaltern.
- Um Störungen zu vermeiden, benutzen Sie immer voll geladene Akkus in Ihrem Sender und Empfänger.
- Bevor Sie den Motor starten, sollten Sie immer die Funktion der Bremse und des Gashebels testen.
- Gehen Sie sicher, dass niemand mit der gleichen Frequenz fährt wie Sie.

Nach Betrieb des RC Modells:

- Zuerst den Empfänger abdrehen, dann den Sender abdrehen um unkontrolliertes Durchgehen zu vermeiden.
- Seien Sie vorsichtig mit gebrauchten Akkus, sie können nach dem Gebrauch heiß sein.
- Ersetzen Sie Akkus/Batterien die beschädigt sind oder schadhafte Kabel aufweisen, sie können Kurzschlüsse oder Feuer verursachen.
- Halten Sie Ihr Fahrzeug sauber und entfernen Sie Schmutz und Schmierfett, damit erhöhen Sie die Lebensdauer Ihres Modells.

PRECAUTIONS

 **Afin d'éviter toutes blessures corporelles et/ou dommages environnants, veuillez procéder en toute responsabilité comme indiqué ci-dessous**

Choisir le lieu adéquat pour faire rouler votre modèle.

- Ne jamais rouler dans les rues ou sur les routes ouvertes au public. Ceci peut provoquer de graves accidents.
- Ne jamais rouler près de personnes ou d'animaux.
- Pour éviter les blessures, ne pas rouler dans des espaces confinés.
- Ne jamais rouler où le bruit peut déranger, comme aux abords des hôpitaux ou des quartiers résidentiels.
- Ne jamais rouler à l'intérieur: les gaz d'échappement sont nocifs.

Controler votre modèle avant chaque utilisation.

- Vérifier que les vis et les écrous sont bien serrés. Il est très fortement conseillé d'utiliser du frein filet pour bloquer les vis qui sont en contact avec du métal et tout particulièrement les vis du moteur.
- Toujours utiliser des batteries bien chargées pour l'émission et la réception.
- Toujours vérifier les freins et la commande des gaz avant de démarrer.
- Vérifier qu'aucune autre personne n'utilise votre fréquence radio.

Après l'Opération De Votre Modèle de R/C

- Le virage du récepteur premier, alors virage de l'émetteur, ceci empêchera des fugitifs.
- Faire attention en contrôlant des piles, ils auront chaud après avoir couru.
- Remplacer n'importe quelles piles qui ont été cabossées ou a éraillé des fils, les court-circuits peuvent causer le feu.
- Etre sûr de garder votre modèle de R/C nettoie et libère de terre et la graisse supplémentaires, ceci augmentera la vie.

Equipment needed / Benötigtes Zubehör / Equipement nécessaire

Radio Gear / Fernsteueranlage / Equipement Radio

Radio control system

• You will need a 2-Channel radio system with one servo, receiver, an electronic speed control with an ON/OFF switch.

Fernsteueranlage

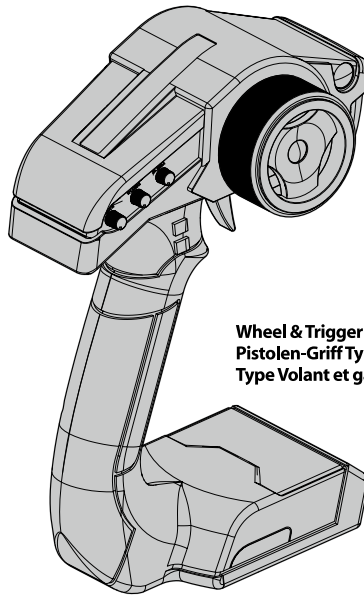
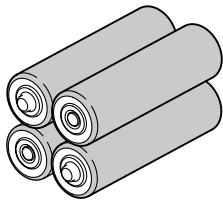
• Sie werden ein 2-Kanal Radio System mit einem Servo, Empfänger, eine elektronische Geschwindigkeitssteuerung mit einem Netzschalter brauchen.

Ensemble radiocommande

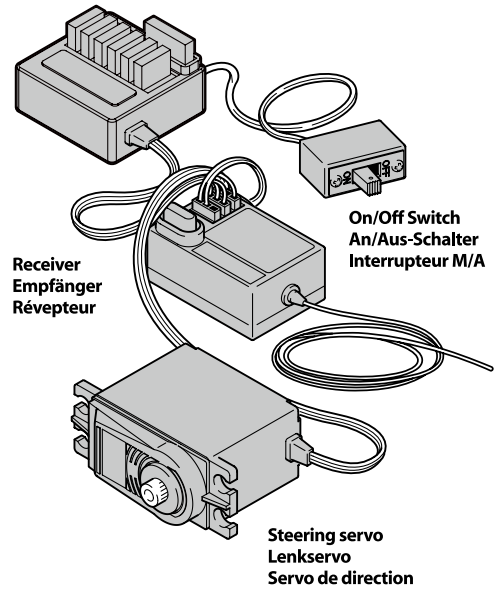
• Vous aurez besoin d'un système de radio de 2 Chaînes avec un servo, le récepteur, un contrôle de vitesse électronique avec un interrupteur (on-off).

- 4AA Alkaline Dry Batteries.
- 4 St. AA Trockenbatterien.
- 4 piles type R6 pour votre radio commande.

4x



Wheel & Trigger Type
Pistolen-Griff Typ
Type Volant et gachette



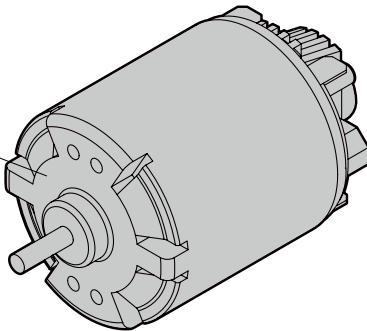
Receiver
Empfänger
Récepteur

On/Off Switch
An/Aus-Schalter
Interrupteur M/A

Steering servo
Lenkservo
Servo de direction

Motor / Motoren / Moteur

540 Size

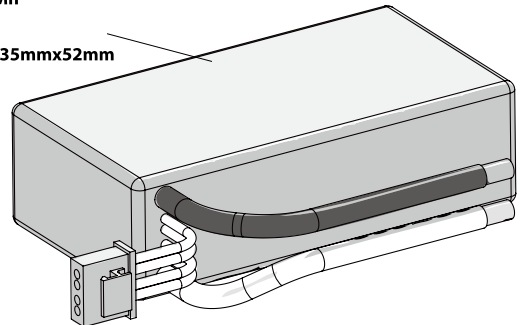


Battery / Akku / Batterie

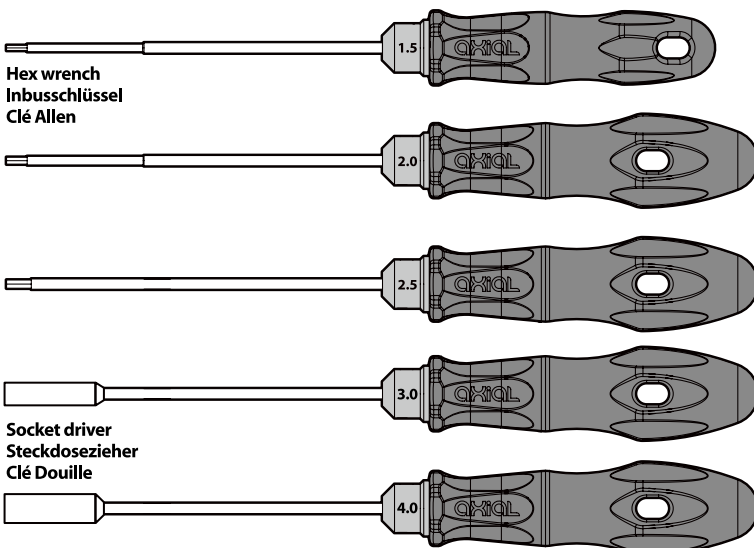
Battery / Akku / Batterie

Recommended Battery:
Standard 6-cell NiMH
Standard 2S Lipo

Max Size: 149mmx35mmx52mm

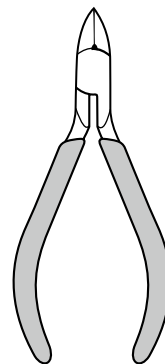


Tools Recommended / Benötigte Werkzeuge / Outillage

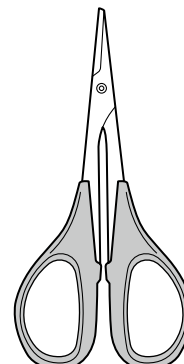


Hex wrench
Inbusschlüssel
Clé Allen

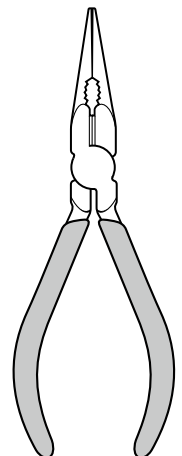
Socket driver
Steckdosezieher
Clé Douille



Side cutter
Seitenschneider
Pincès coupantes

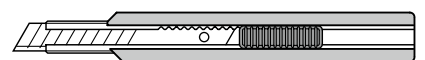


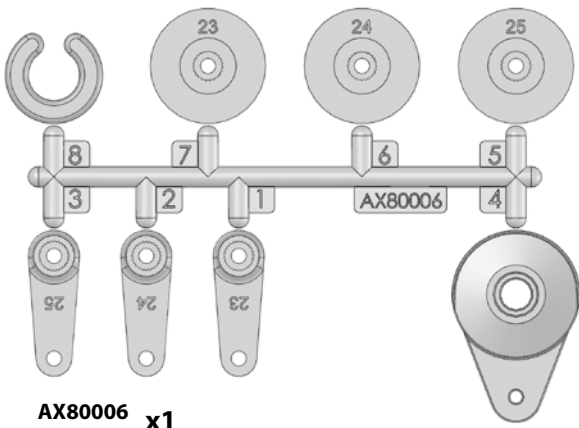
Curved scissors
Schere
Ciseaux



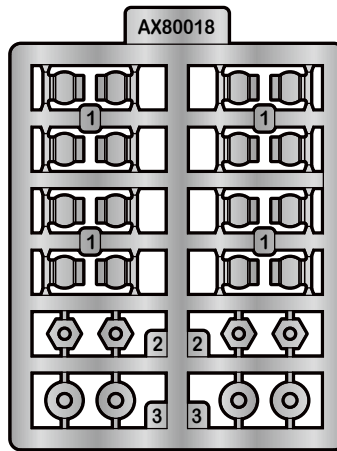
Long nose pliers
Flachzange
Pincès à becs longs

Modeling knife
Modelliermesser
Couteau de modéliste

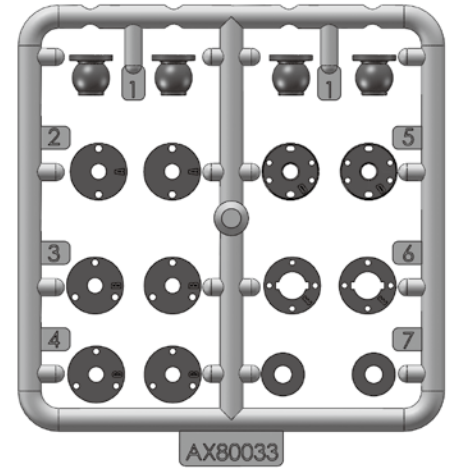




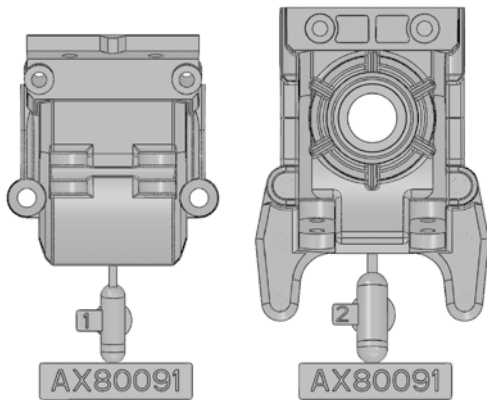
AX80006
Servo Set **x1**



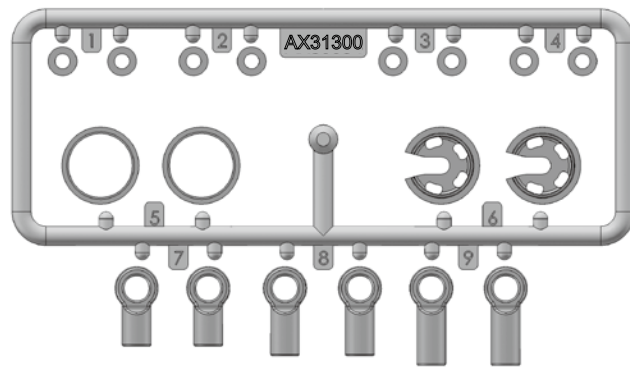
AX80018
Hardware Parts Tree **x2**



AX80033
10m Shock Parts Tree 1 **x2**



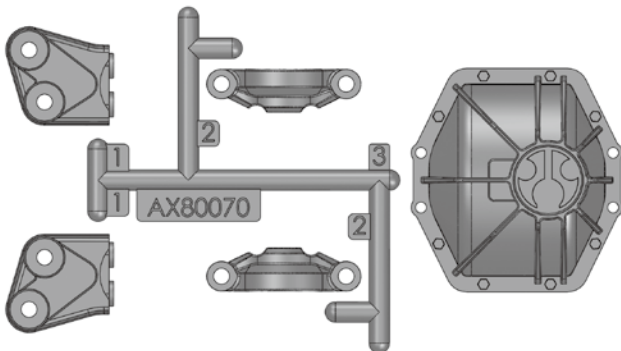
AX80091
EXO Bulkhead **x1**



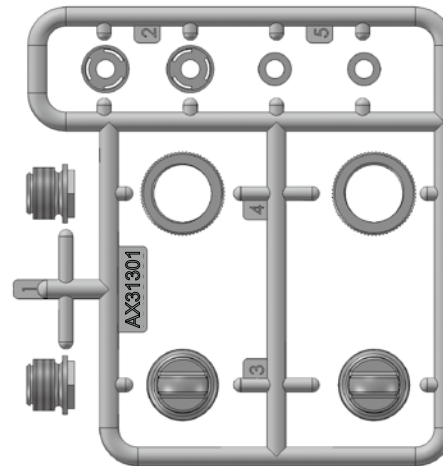
AX31300
10mm Shock Parts Tree 2 (Blue) **x2**



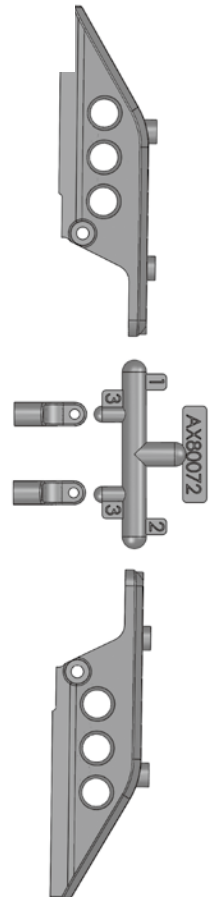
AX80071
AR60 OCP Straight Axle Adapter **x1**



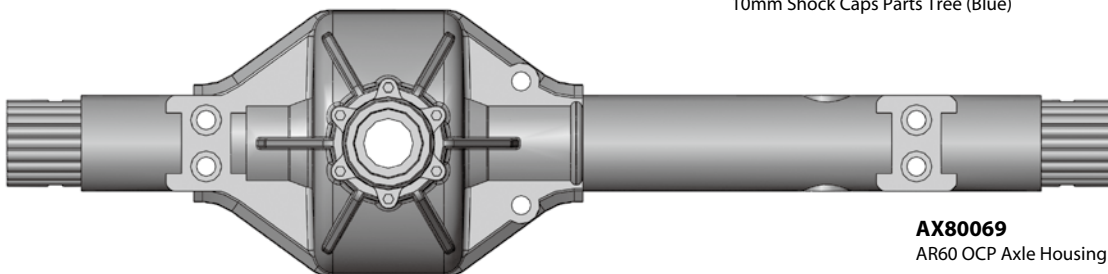
AX80070
AR60 OCP Differential Cover **x1**



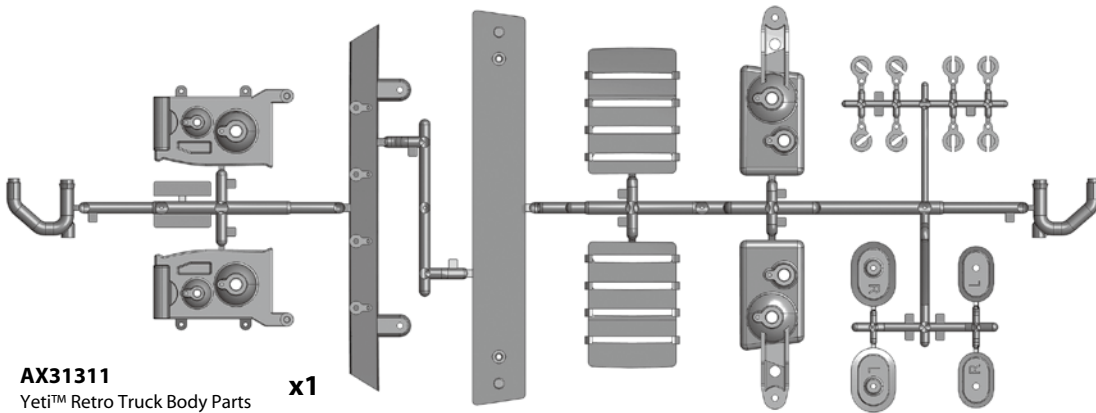
AX31301
10mm Shock Caps Parts Tree (Blue) **x2**



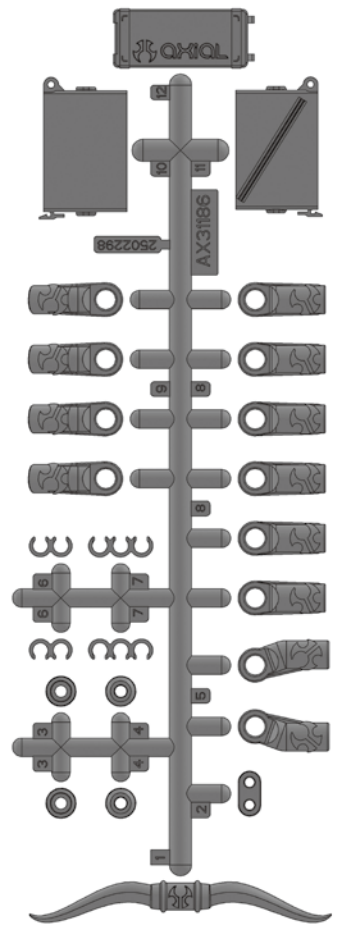
AX80072
AR60 OCP 4-Link Mount **x1**



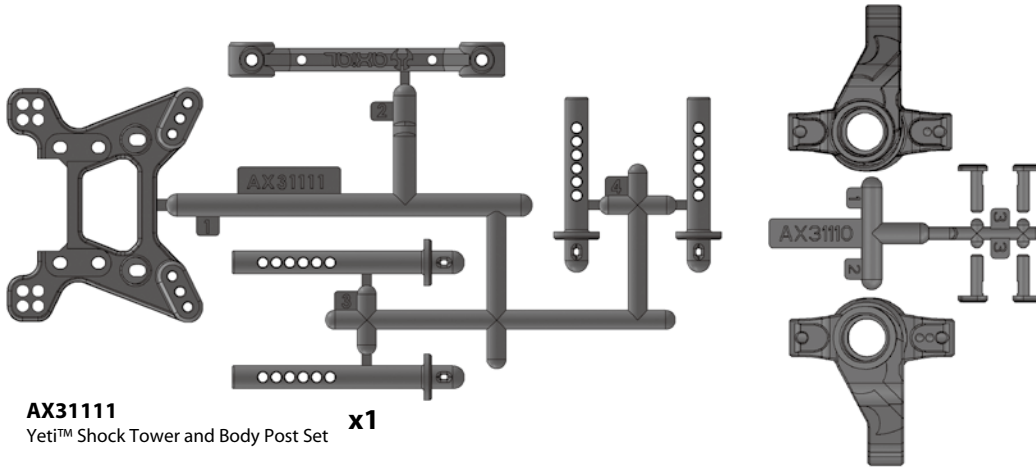
AX80069
AR60 OCP Axle Housing **x1**



AX31311
Yeti™ Retro Truck Body Parts **x1**



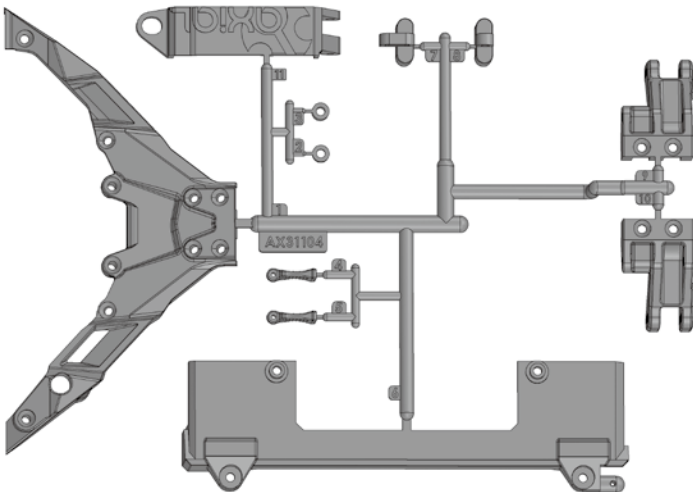
AX31186
M4 Rod End Set **x1**



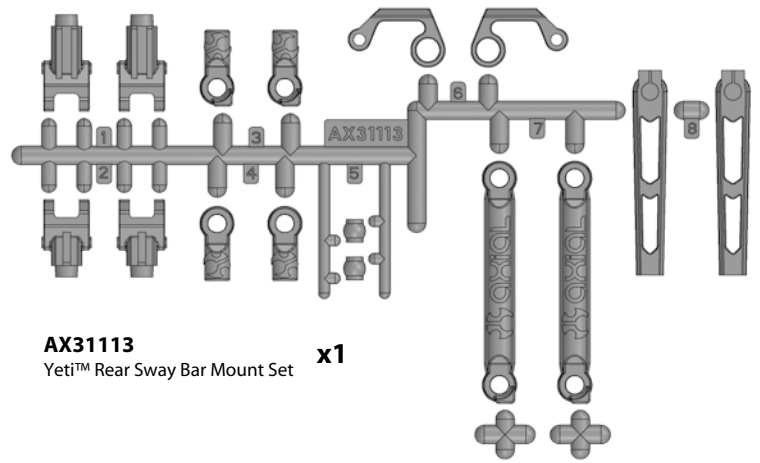
AX31111
Yeti™ Shock Tower and Body Post Set **x1**



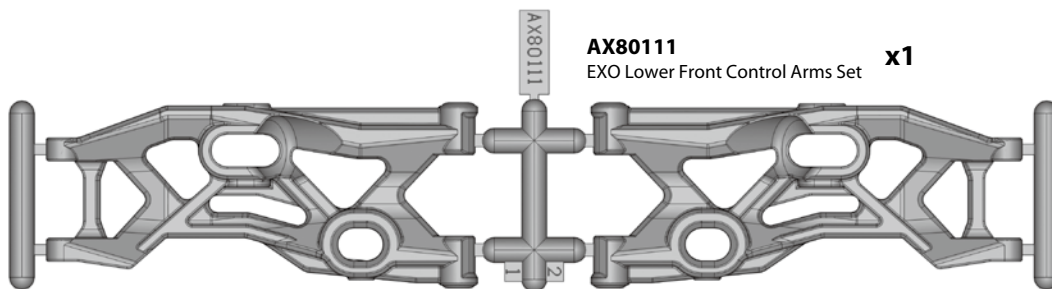
AX31110
Yeti™ Steering Knuckle Set **x1**



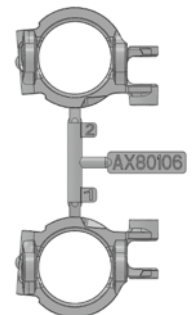
AX31104
Yeti™ Chassis Components **x1**



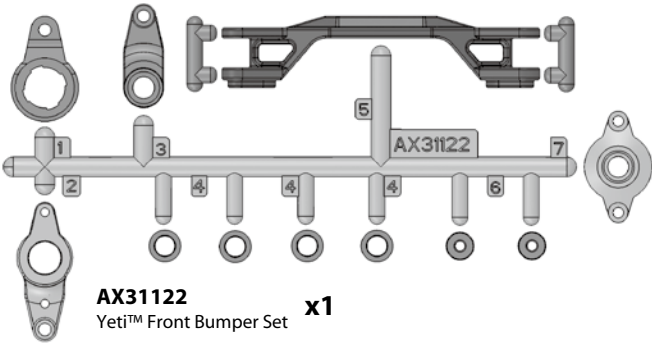
AX31113
Yeti™ Rear Sway Bar Mount Set **x1**



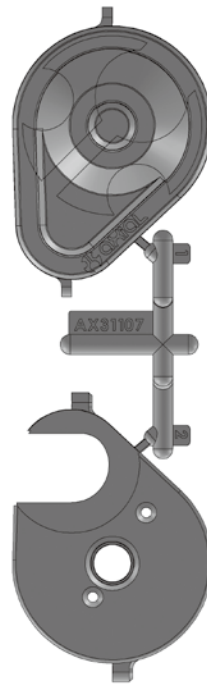
AX80111
EXO Lower Front Control Arms Set **x1**



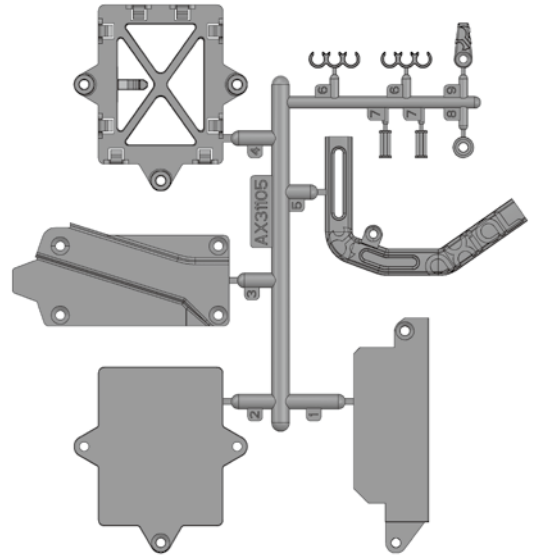
AX80106
EXO Steering Knuckle Carrier Set **x1**



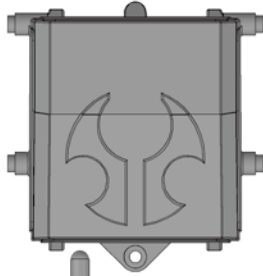
AX31122
Yeti™ Front Bumper Set **x1**



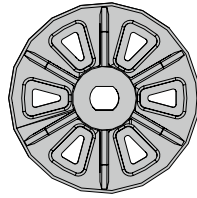
AX31107
2-Speed Hi/Low Transmission Spur Gear Cover **x1**



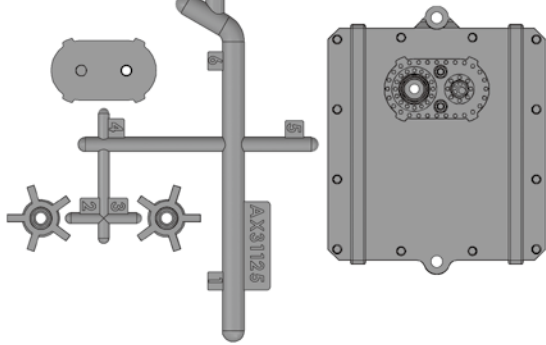
AX31105
Yeti™ Chassis Electronic Components **x1**



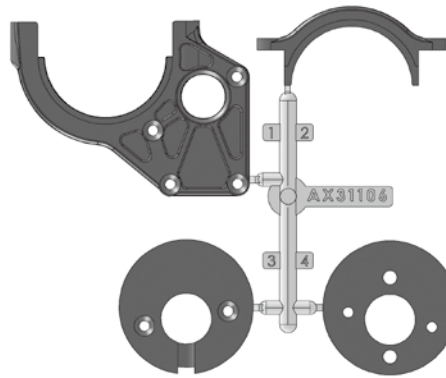
AX31067
Slipper Plate **x1**



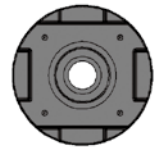
AX31370
2.2/3.0 Method NV 306 Wheel Orange **x4**



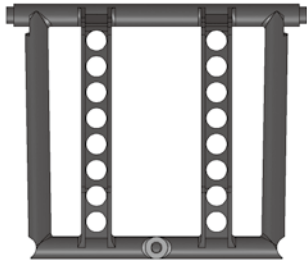
AX31125
Yeti™ Fuel Cell **x1**



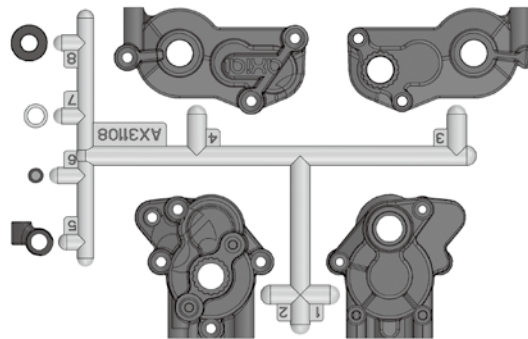
AX31106
2-Speed Hi/Low Transmission Motor Mount **x1**



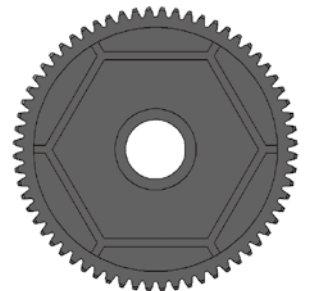
AX80002
Diff Case -Small **x2**



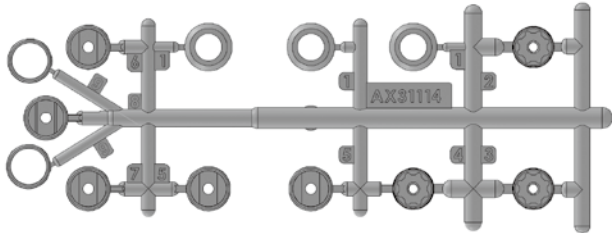
AX31059
Slipper Plate **x2**



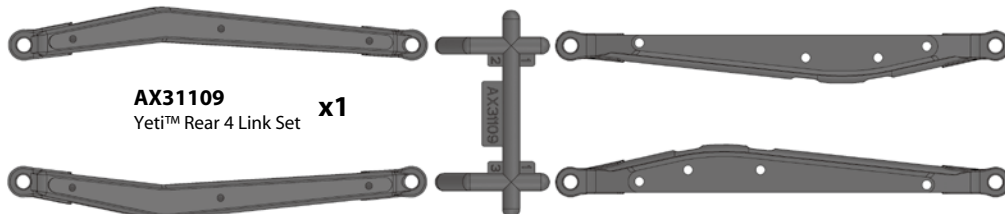
AX31108
2-Speed Hi/Low Transmission Case **x1**



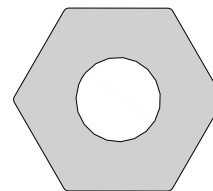
AX31065
Spur Gear 32P 64T **x1**



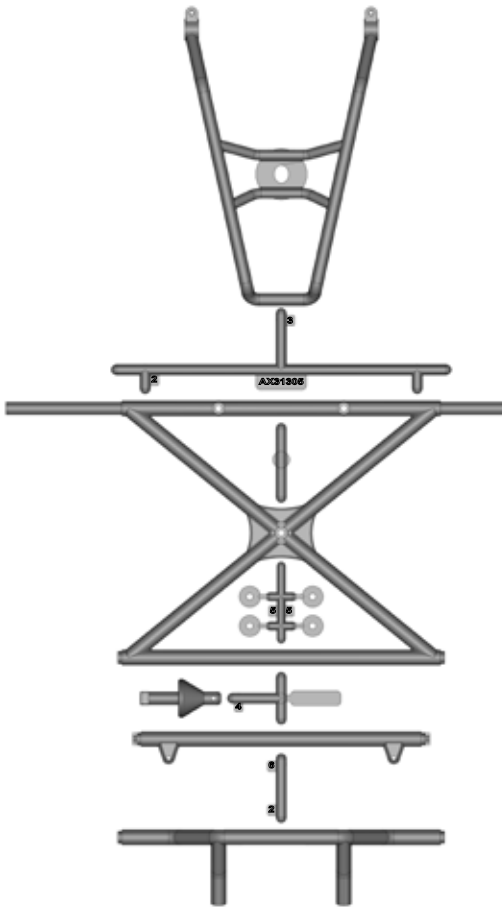
AX31114
WB8-HD Driveshaft **x1**



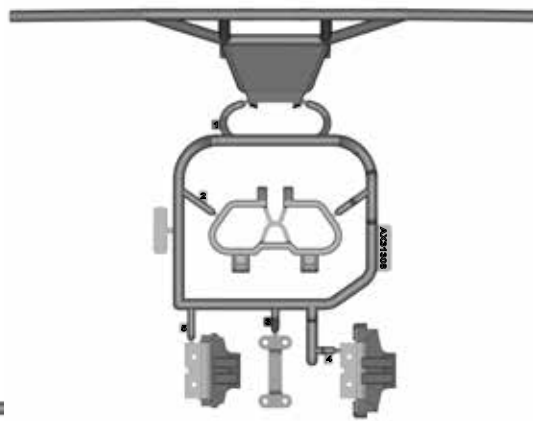
AX31109
Yeti™ Rear 4 Link Set **x1**



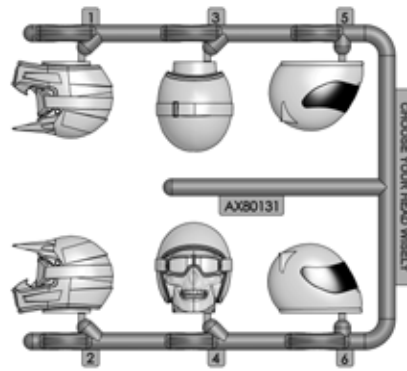
AX31068
Slipper Pad **x2**
32.8x15.2x1mm (2pcs)



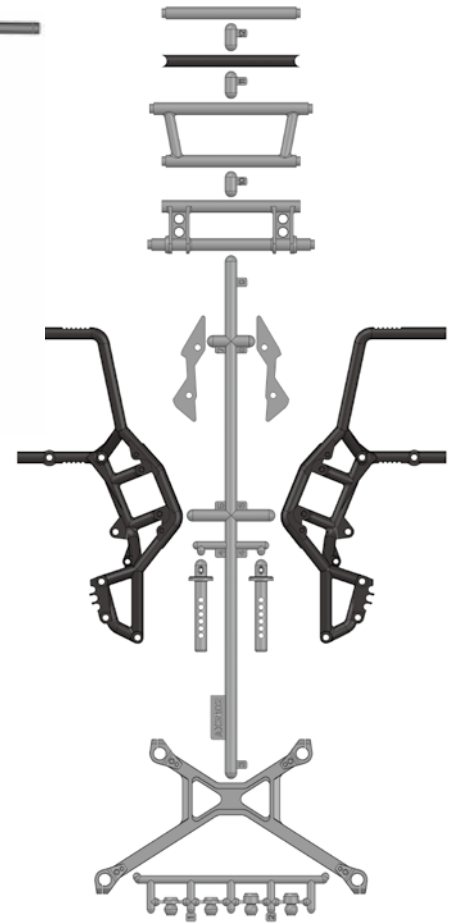
AX31305
TT-380 Rear Lower Cage and
Tire Retainer **x1**



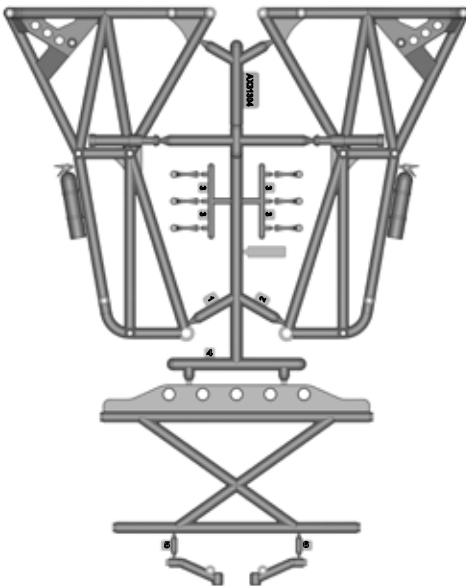
AX31308
TT-380 Front Bumper and Toe Block **x1**



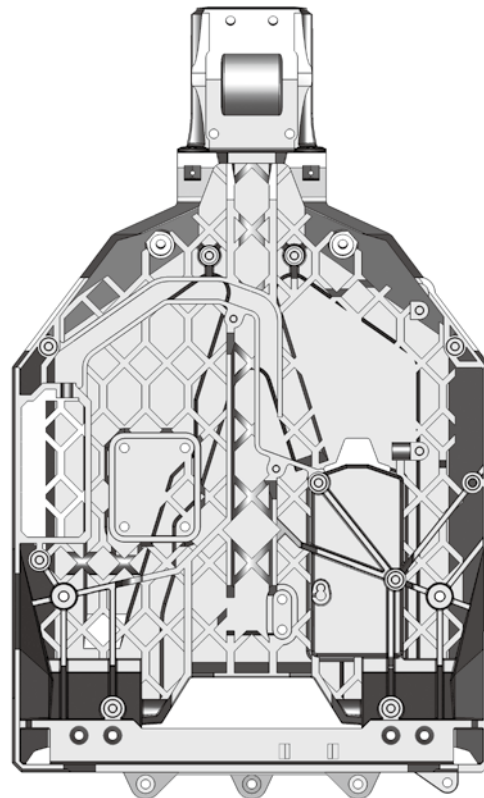
AX80131
Helmet Set (White) **x2**



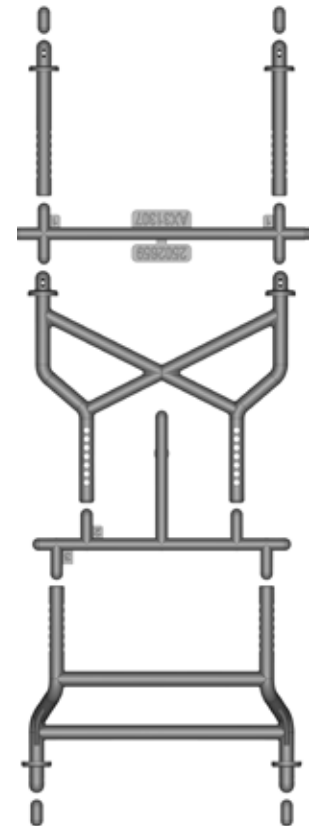
AX31102
Yeti™ Rear Cage Components **x1**



AX31304
TT-380 Rear Cage Sides and
Rear Upper Cage **x1**



AX31103
Yeti™ Molded Chassis Tub **x1**



AX31307
TT-380 Body Post Set **x1**



AX30384
Steel steering Post **x2**



AX30147
Shock Shaft 3x53.5mm **x2**



AX31054
Shock Shaft 3x71mm **x2**



AX31129
2-Speed Hi/Lo Transmission Bottom Shaft (5x75mm) **x1**



AX31245
Stamped Link Plate 1 Lower **x4**



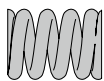
AX31297
Spring 14x90mm 2.25 lbs/in - (Green) Firm King Blue **x2**



AX30216
Spring 14x90mm 2.78 lbs/in - Firm (Yellow) King Blue **x2**



AX31298
Spring 14x54mm 4.33 lbs-in Firm (Yellow) King Blue **x2**



AX30413
Slipper Spring 8.5x12 **x1**



AX31296
Shock Body 12x59mm **x2**



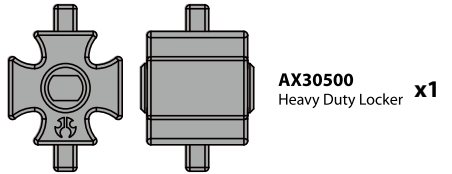
AX31295
Shock Body 12x41.5mm **x2**



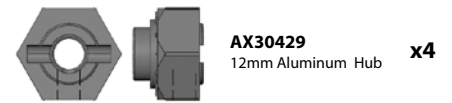
AX30843
Pinion Gear 32P 17T (5mm shaft) **x1**



AX30395
Bevel Gear Set **x2**



AX30500
Heavy Duty Locker **x1**



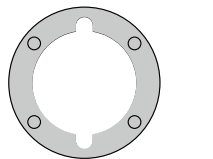
AX30429
12mm Aluminum Hub **x4**



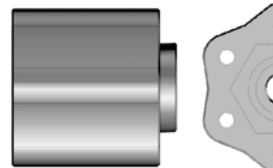
AX31060
Spring 13x9.25mm **x1**



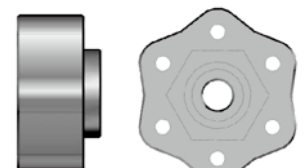
AX31083
Radio Box Seals **x1**



AX30385
Diff Gasket 16x25x0.5mm **x2**



AX31266
12mm Hex Hub Adapter Narrow **x2**



AX31266
12mm Hex Hub Adapter Wide **x2**



AX31058
Yeti™ Rear Sway Bar **x1**

AX31083 x1
Radio Box Seals

AX31083 x1
Radio Box Seals

AX30382 x4
EXO Steering King Pin

AX31131 x1
T-Case Gear Set

AX30438 x4
Axial Delrin 10mm Machined Piston-1.2

AX31148 x2
WB8-HD Driveshaft Coupler Set

AX31148 x3
WB8-HD Driveshaft Coupler Set

AX30383 x1
EXO Heavy Duty Differential Input Shaft

AX30381 x2
EXO Heavy Duty Differential Output Shaft

AX31272 x2
M4x55mm Turnbuckle

AX31273 x2
M4x60mm Turnbuckle

AX31127 x1
2-Speed Hi/Lo Transmission Top Shaft (5x91mm)

AX31139 x1
Center Universal Shaft 103mm

AX31135 x2
Universal Axle Set 92mm

AX30776 x1
Rear Axle Shaft 6x104.2mm

AX30776 x1
Rear Axle Shaft 6x160.2mm



AX31131 x1
T-Case Gear Set



AX31130 x1
High Speed Transmission Gear Set



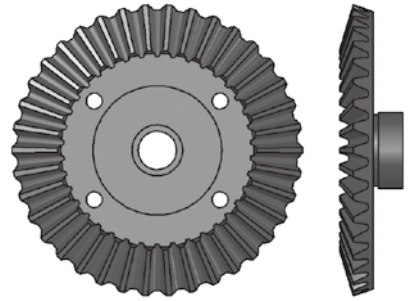
AX31130 x1
High Speed Transmission Gear Set



AX31131 x1
T-Case Gear Set



AX31131 x1
T-Case Gear Set



AX30395 x2
Bevel Gear Set



AX30390 x2
Differential Gear Set




AX30390 x2
Differential Gear Set




AX31134 x1
2-Speed Hi/Lo Transmission Output Shaft




AXA1635 x1
M3x35mm Turnbuckle

 **AX31148**
4.5x6.5mm Joint Pin **x3**

 **AXA1184**
O-Ring 7.5x1.5mm **x4**


 **AXA1202**
O-Ring 3.5x2mm **x8**


 **AXA1162**
O-Ring 5x1mm **x6**


 **AX30113**
Rubber Bump Stop 3.6x7x4 **x4**

 **AX30112**
Shock Diaphragm 13x4.5mm **x4**

 **AXA1069**
Washer 2.7x6.7x0.5 mm **x8**

 **AXA1071**
Washer 4x8x0.5mm **x2**

 **AX30163**
Pin 2x10mm **x4**


 **AX31028**
Pin 2x11mm **x8**


 **AX30170**
M3x22mm **x1**

 **AXA1059**
6mm Body Clip **x7**


 **AXA1393**
E2.5 e-clip **x2**


 **AXA1391**
E4 e-clip **x2**

 **AXA1213**
Bearing 5x8x2.5mm **x4**

 **AXA1221**
Bearing 5x11x4mm **x18**


 **AXA1230**
Bearing 10x15x4mm **x6**


 **AXA1041**
M2.5 Nylon Locking Hex Nut **x4**


 **AXA1052**
M3 Thin Nylon Locking Hex Nut **x21**


 **AXA1053**
M3 Nylon Locking Hex Nut **x6**


 **AXA1045**
M4 Nylon Lock Nut **x1**


 **AX31250**
M4 Serrated Nylon Locking Nut **x4**


 **AXA180**
M3x3mm Set Screw (Black) **x8**


 **AXA0181**
M3x4mm Set Screw **x9**


 **AXA291**
M4x4mm Set Screw (Black) **x2**

 **AXA0113**
M3x6mm **x5**

 **AXA114**
M3x8mm **x4**

 **AXA115**
M3x10mm **x4**

 **AXA116**
M3x12mm **x10**


 **AXA117**
M3x15mm **x5**

 **AXA118**
M3x18mm **x43**

 **AXA119**
M3x20mm **x4**

 **AXA121**
M3x30mm **x3**

 **AX31119**
M3x35mm **x3**

 **AXA0286**
M4x2.5x12mm **x8**

 **AXA31121**
M4x12mm Caphead **x2**

 **AXA0125**
M3x35mm Hex Socket Button Head Screw Shaft **x2**

 **AXA0125**
M3x35mm Hex Socket Button Head Screw Shaft **x2**


 **AXA0128**
M3x61mm Hex Socket Button Head Screw Shaft **x2**

 **AXA0128**
M3x61mm Hex Socket Button Head Screw Shaft **x2**


 **AXA144**
M3x8mm **x4**

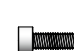
 **AXA146**
M3x12mm **x42**


 **AXA0147**
M3x16mm **x9**

 **AXA148**
M3x18mm **x13**

 **AXA150**
M3x25mm **x2**

 **AXA015**
M2x10mm **x12**

 **AXA0023**
M2.6x8mm **x26**


 **AXA087**
M3x16mm **x6**

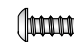
 **AXA091**
M3x30mm **x1**

 **AXA0109**
M3x10mm Oversized Flat Hex Socket **x4**

 **AXA0109**
M3x10mm Oversized Flat Hex Socket **x4**


 **AXA0109**
M3x10mm Oversized Flat Hex Socket **x4**


 **AXA0422**
M2.6x6mm **x4**

 **AXA31205**
M2.6x8mm **x2**

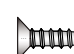
 **AX31061**
M2.6x18mm **x2**


 **AXA435**
M3x10mm **x2**

 **AXA436**
M3x12mm **x10**

 **AXA0437**
M3x15mm **x4**

 **AXA0439**
M3x20mm **x1**





 **AXA0413**
M2.6x8mm **x4**

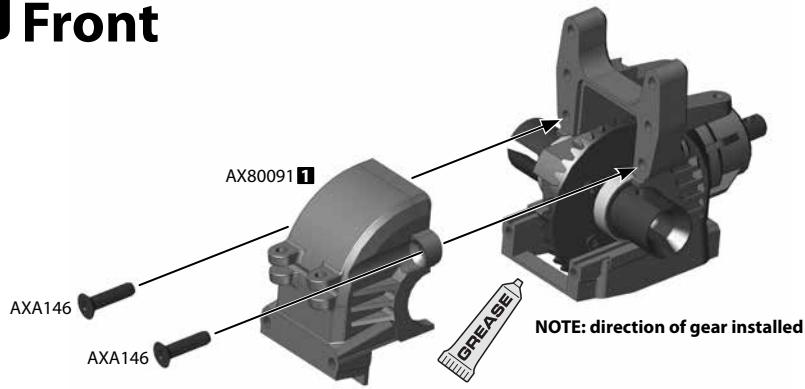
 **AXA0414**
M2.6x10mm **x2**

 **AXA466**
M3x12mm **x2**

 **AXA467**
M3x16mm **x8**

3 Front

-  **AXA146**
M3x12mm **x2**
-  **AXA0147**
M3x16mm **x4**
-  **AXA118**
M3x18mm **x2**
-  **AXA0286**
M4x2.5x12mm **x2**



Option Parts

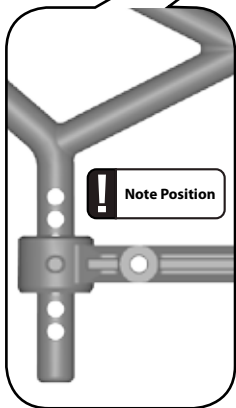
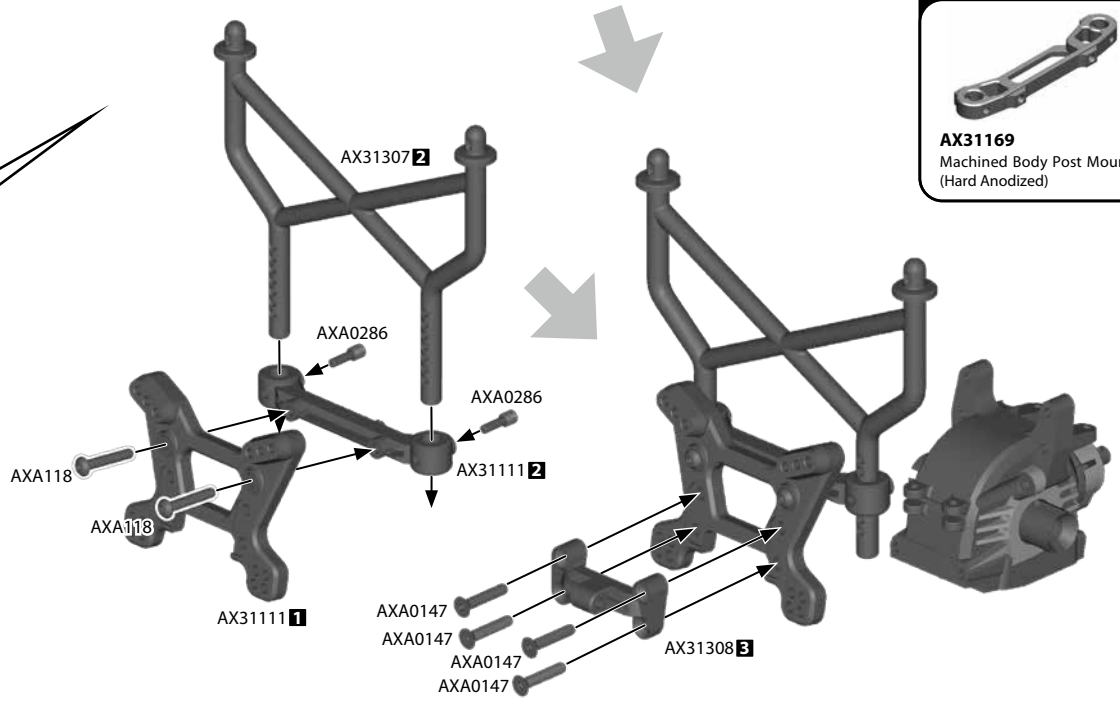


AX31170
Machined Front Shock Tower
(Hard Anodized)


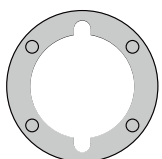
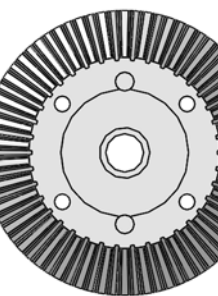
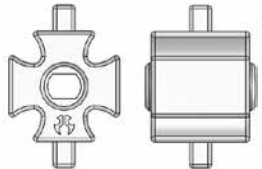

Option Parts

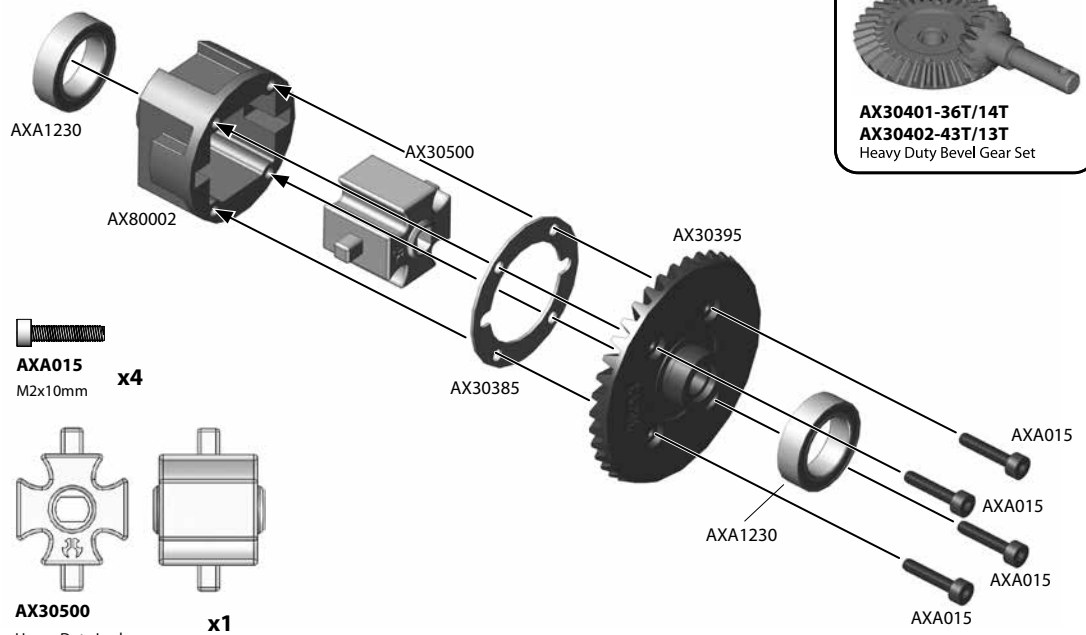


AX31169
Machined Body Post Mount
(Hard Anodized)



4 Rear

-  **AXA1230**
Bearing 10x15x4mm **x2**
-  **AX30385**
Diff Gasket 16x25x0.5mm **x1**
-  **AX30395**
38T Bevel Gear **x1**
-  **AX30500**
Heavy Duty Locker **x1**
-  **AXA015**
M2x10mm **x4**



Option Parts



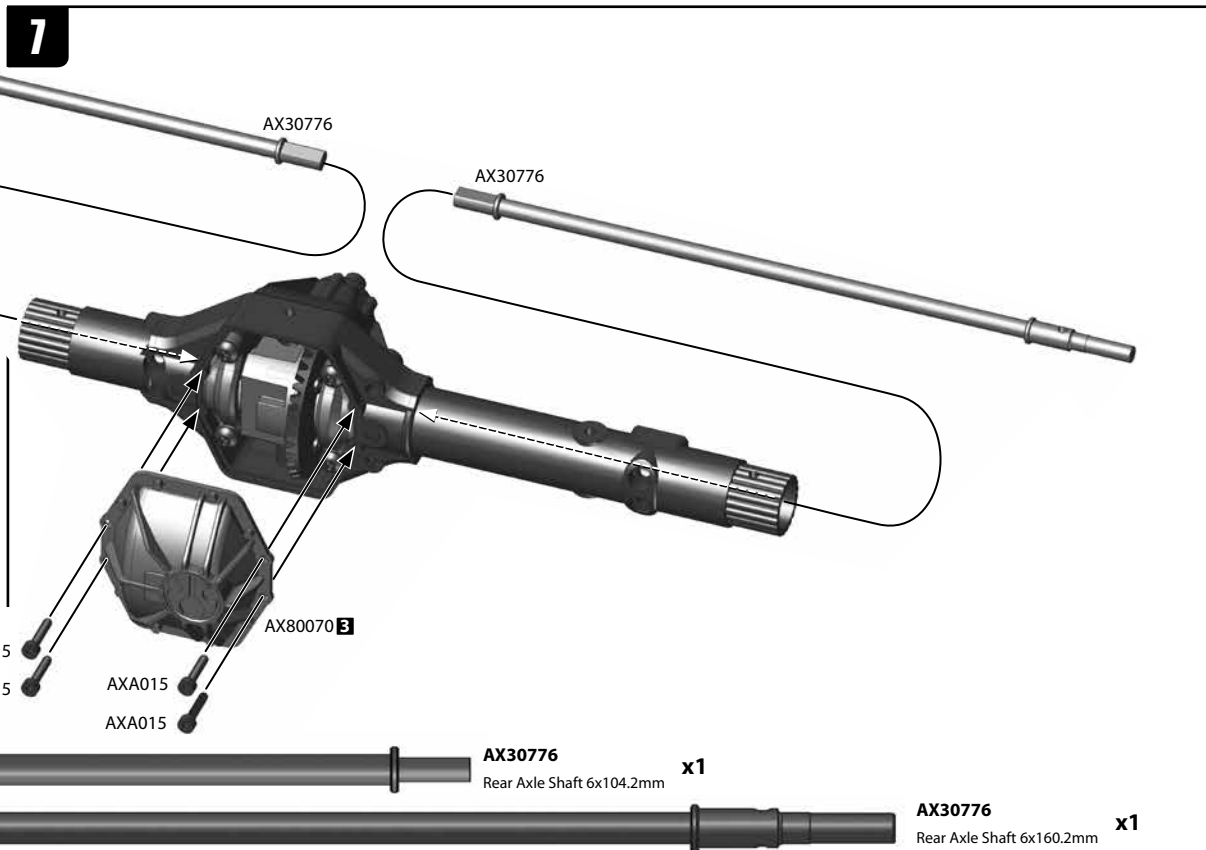
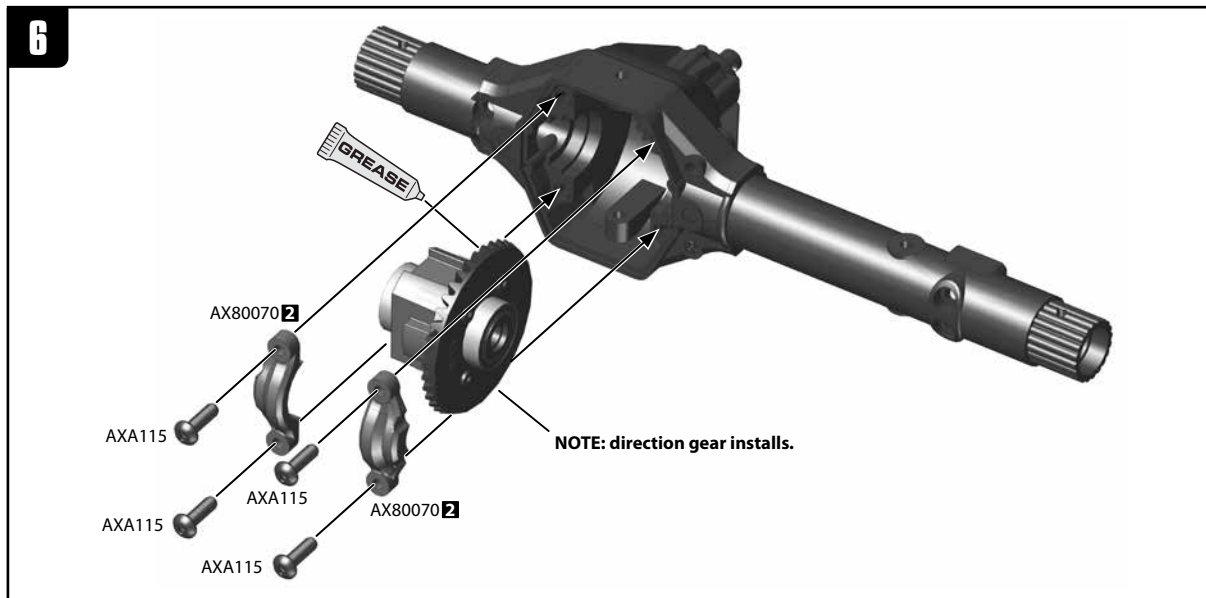
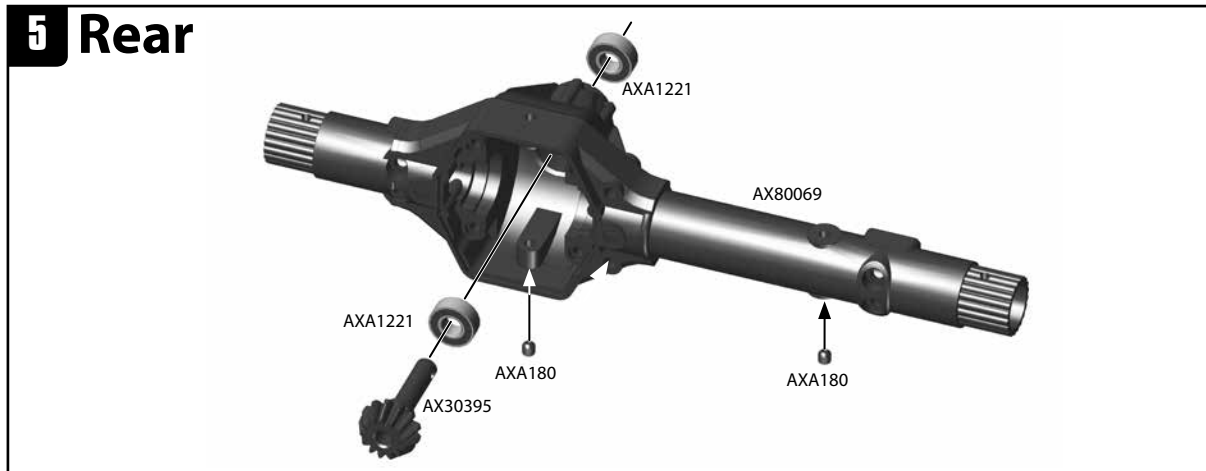
AX30401-36T/14T
AX30402-43T/13T
Heavy Duty Bevel Gear Set

AXA180
M3x3 mm **x2**

AXA1221
Bearing 5x11x4mm **x2**

AX30395
13T Bevel Gear HD **x1**

AXA115
M3x10mm **x4**

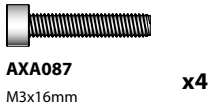
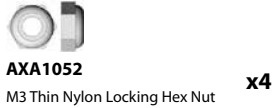
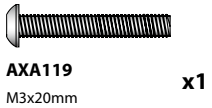


8 Rear

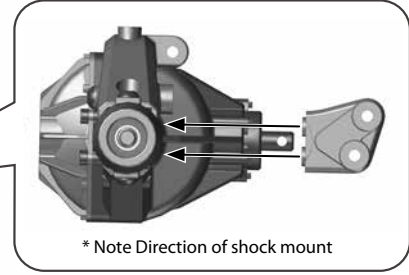
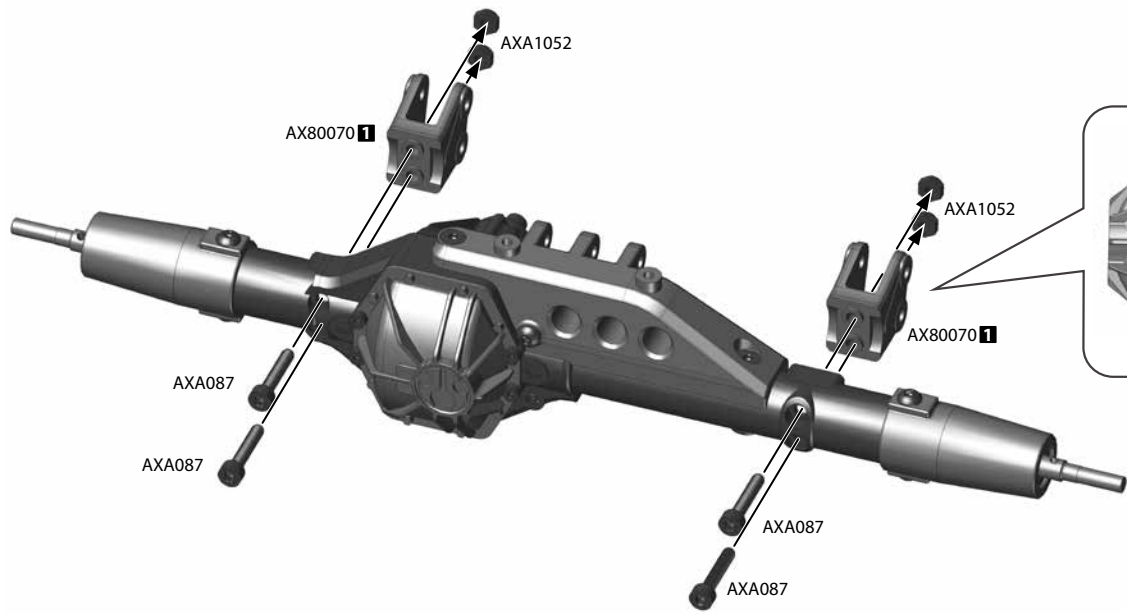
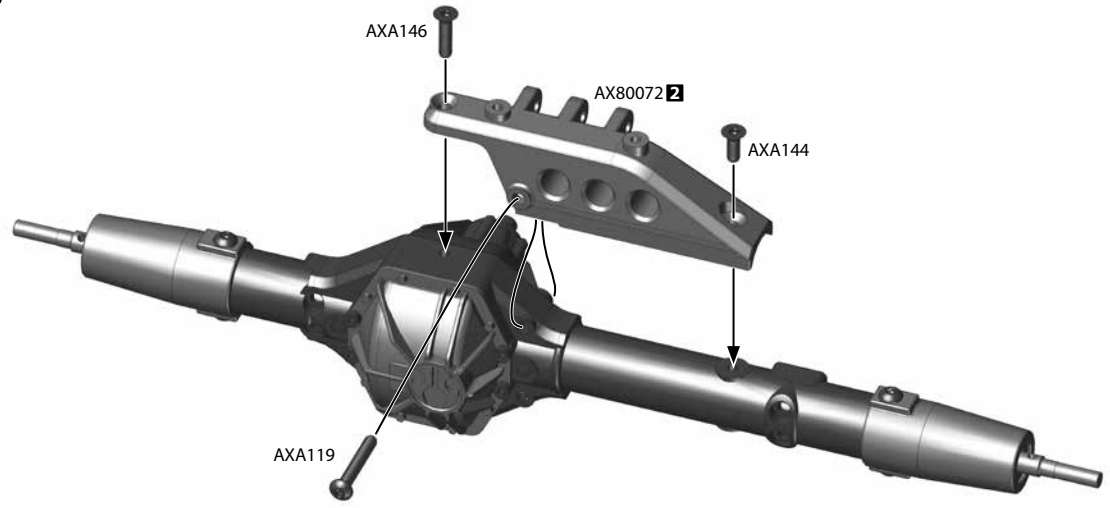


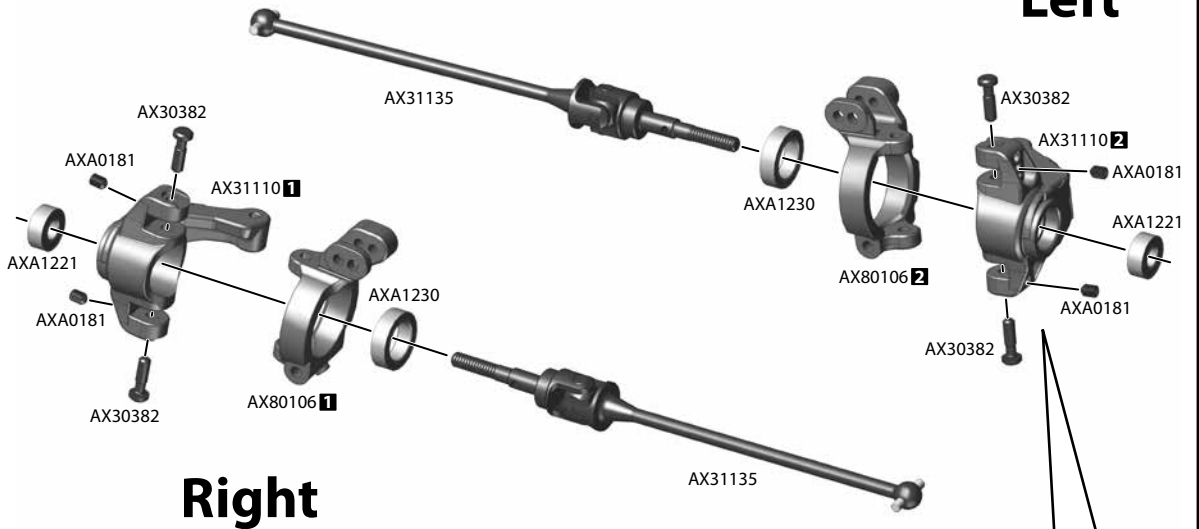
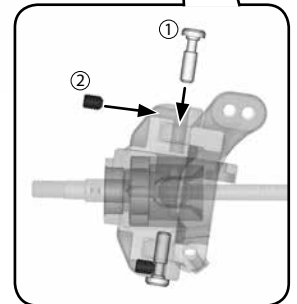
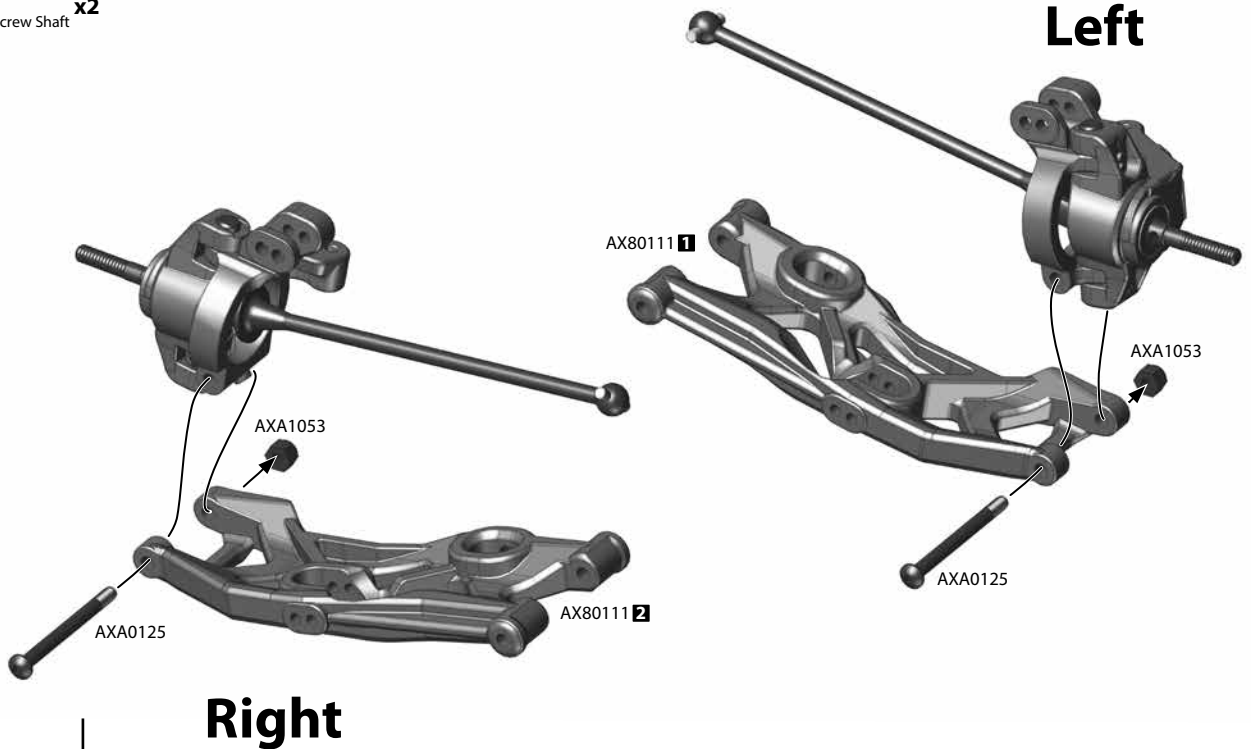
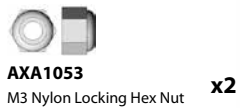
Option Parts

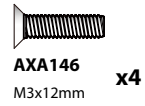
AX30789
Rear Straight Axle Aluminum Adapter



9



B**Open Bag B****10 Front****Left****Right****11****Left****Right**



AXA121
M3x30mm

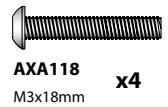
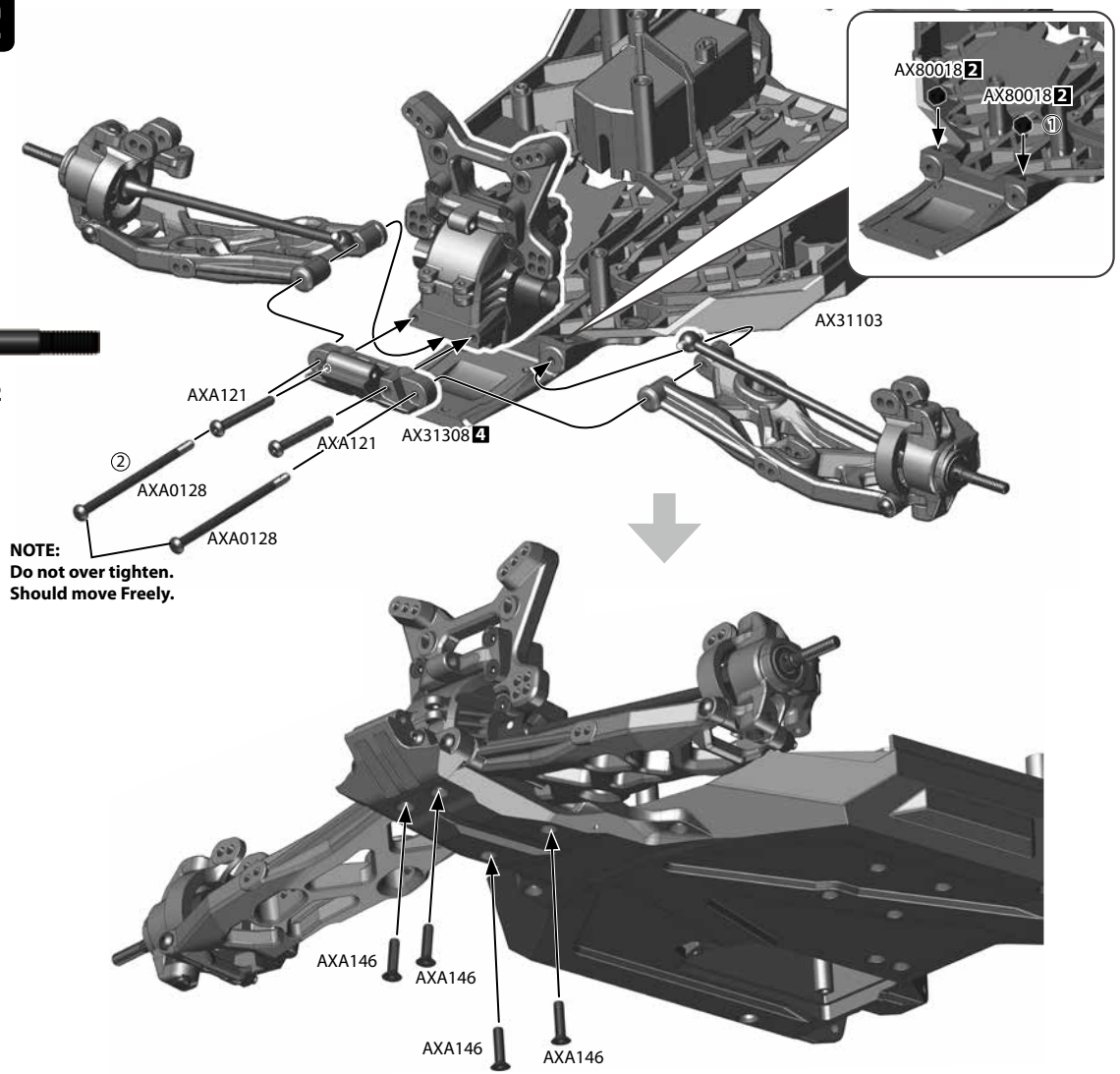


AXA0128
M3x61mm Hex Socket Button Head Screw Shaft

12

x2

x2



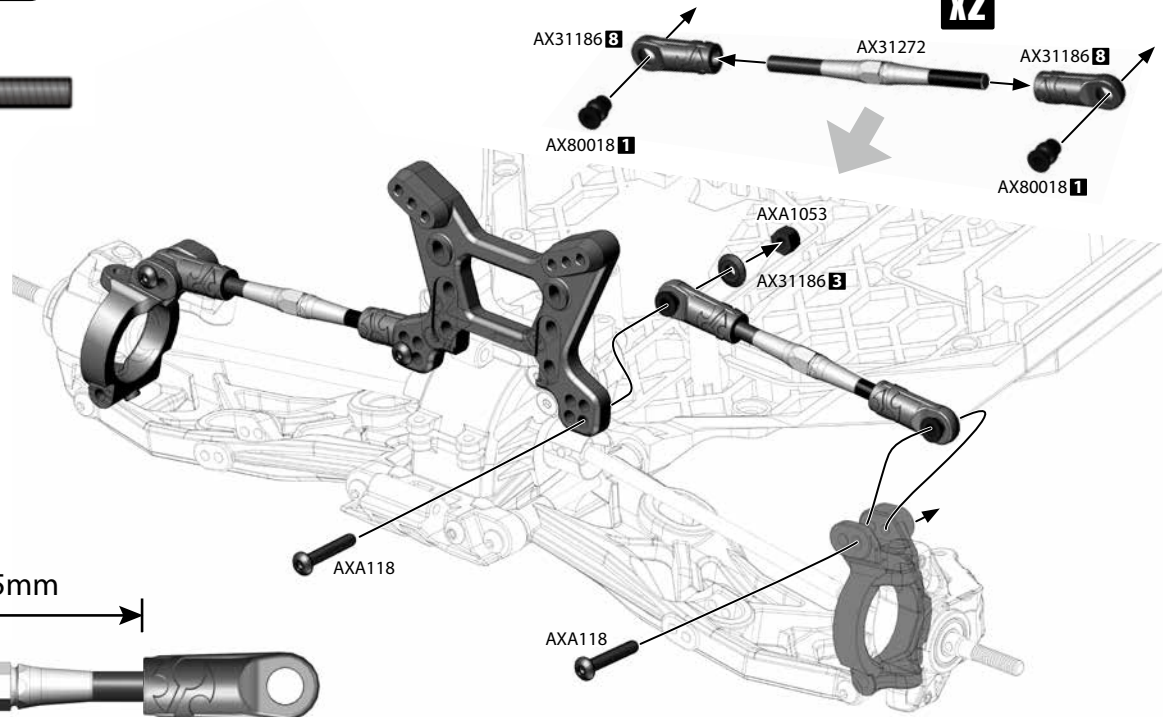
AX31272
M4x55mm



AXA1053
M3 Nylon Locking Hex Nut

13

x2





AX31061
M2.6x18mm **x2**



AX31060
Spring 13x6.25mm **x1**

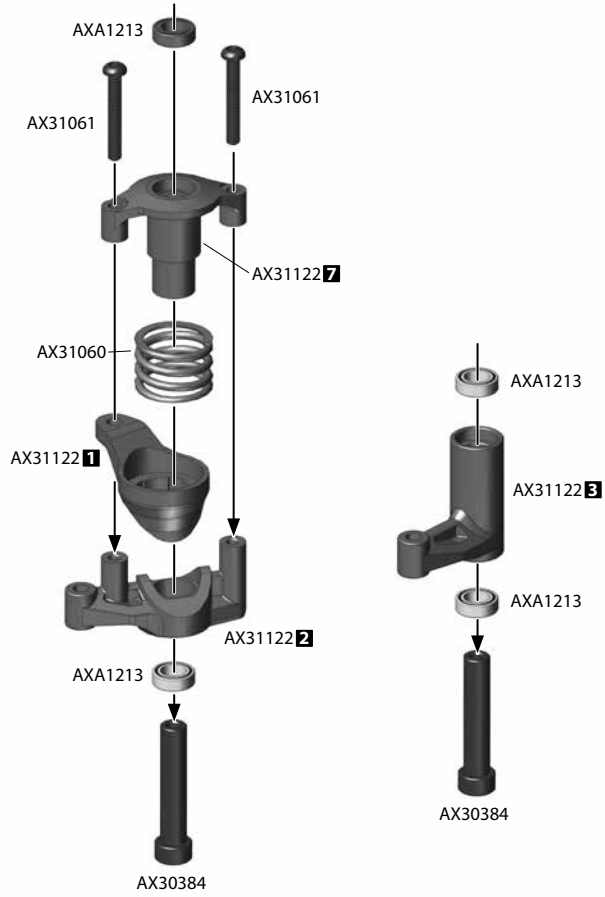


AX30384
Steering Post Steel **x2**



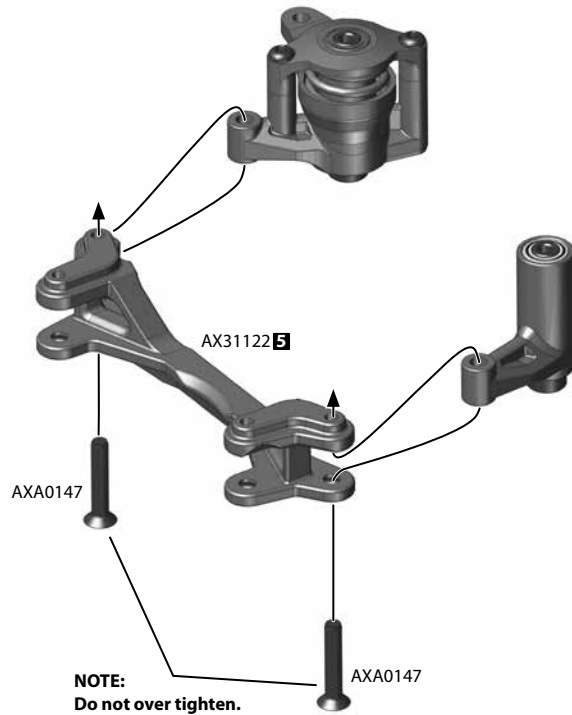
AXA1213
Bearing 5x8x2.5mm **x4**

14



AXA0147
Hex Socket Flat Head M3x16mm **x2**

15





AXA0147
Hex Socket Flat Head M3x16mm x2



AX31273
M4x60mm x2

Right



38mm

Left



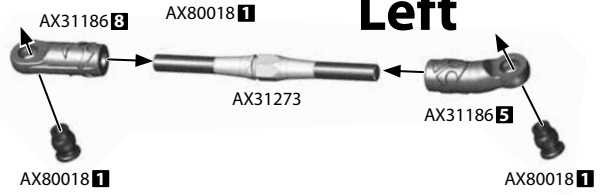
38mm

16

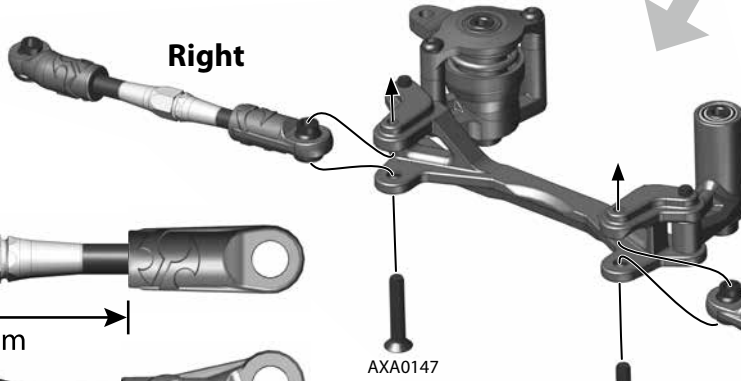
Right



Left



Right



Left

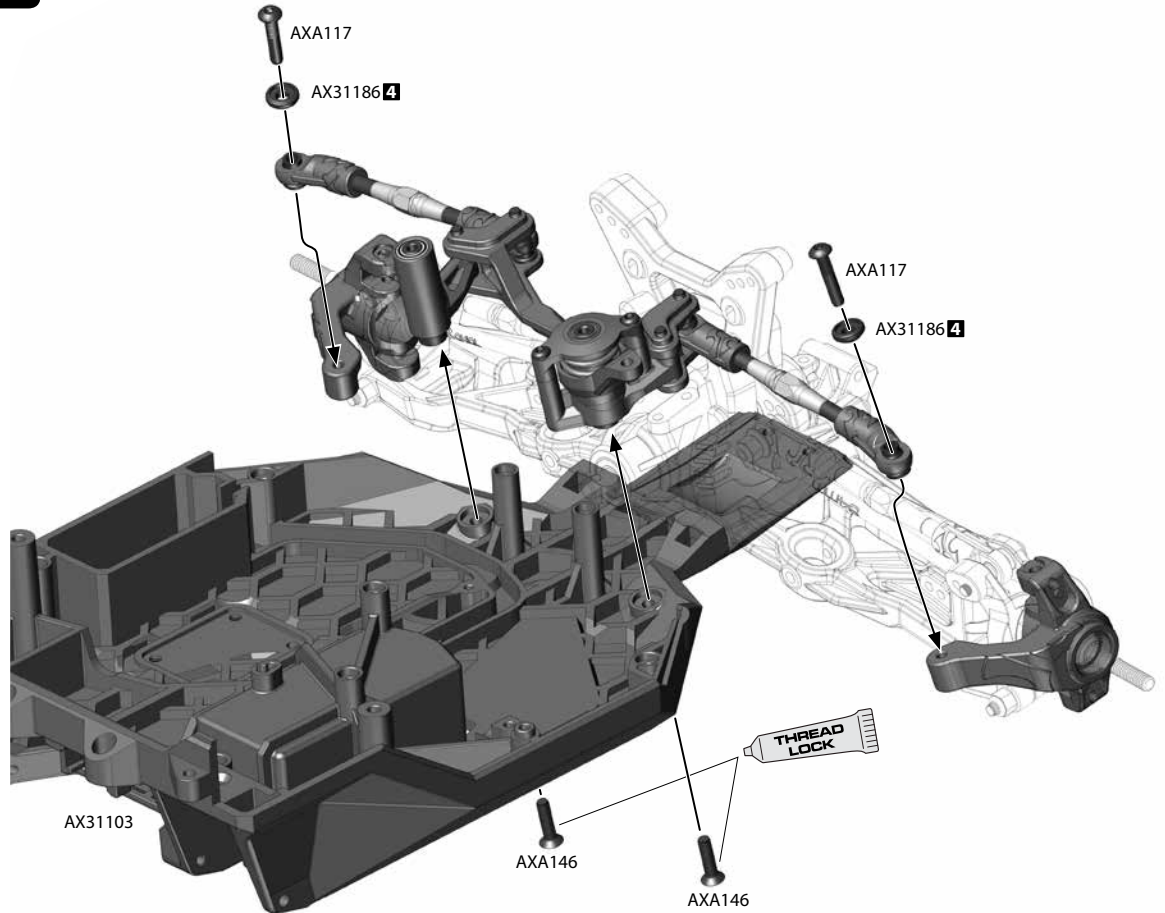


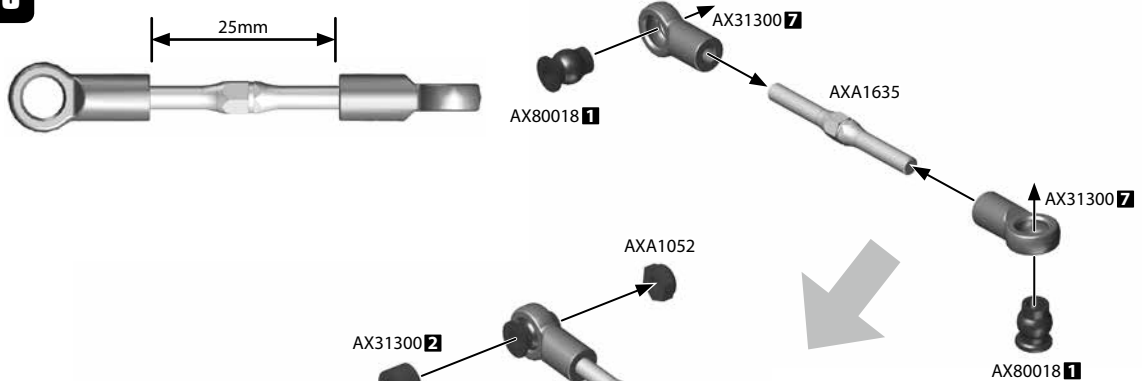
AXA117
M3x15mm x2



AXA146
Hex Socket Flat Head M3x12mm x2

17








C**Open Bag C****2****Open Plastic Bag 2****18****AX31148**
4.5x6.5mm joint Pin **x1****AX31028**
Pin 2x11mm **x1****AXA0286**
m4x2.5x12mm **x1****AX31148**
WB8-HD Driveshaft Coupler Set **x1****AX31139**
Center Universal Shaft 103mm **x1****AXA1052**
M3 Thin Nylon Locking Hex Nut **x1****AXA1635**
M3x35mm Turnbuckle **x1****AXA118**
M3x18mm **x1****19**

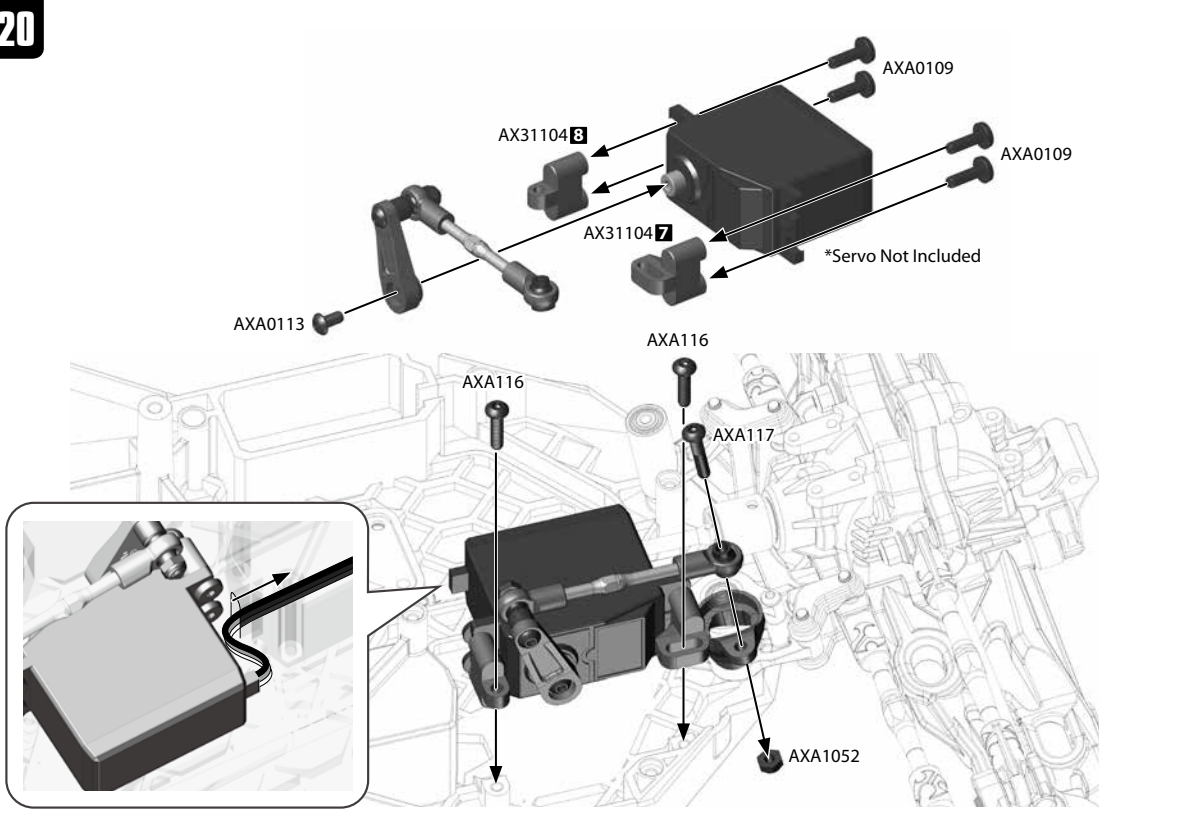
- AX80006 **1**
23 Airtronics / JR / KO
- AX80006 **2**
24 Hitec
- AX80006 **3**
25 Futaba

Option Parts



AX30834 23T
AX30835 24T
AX30836 25T

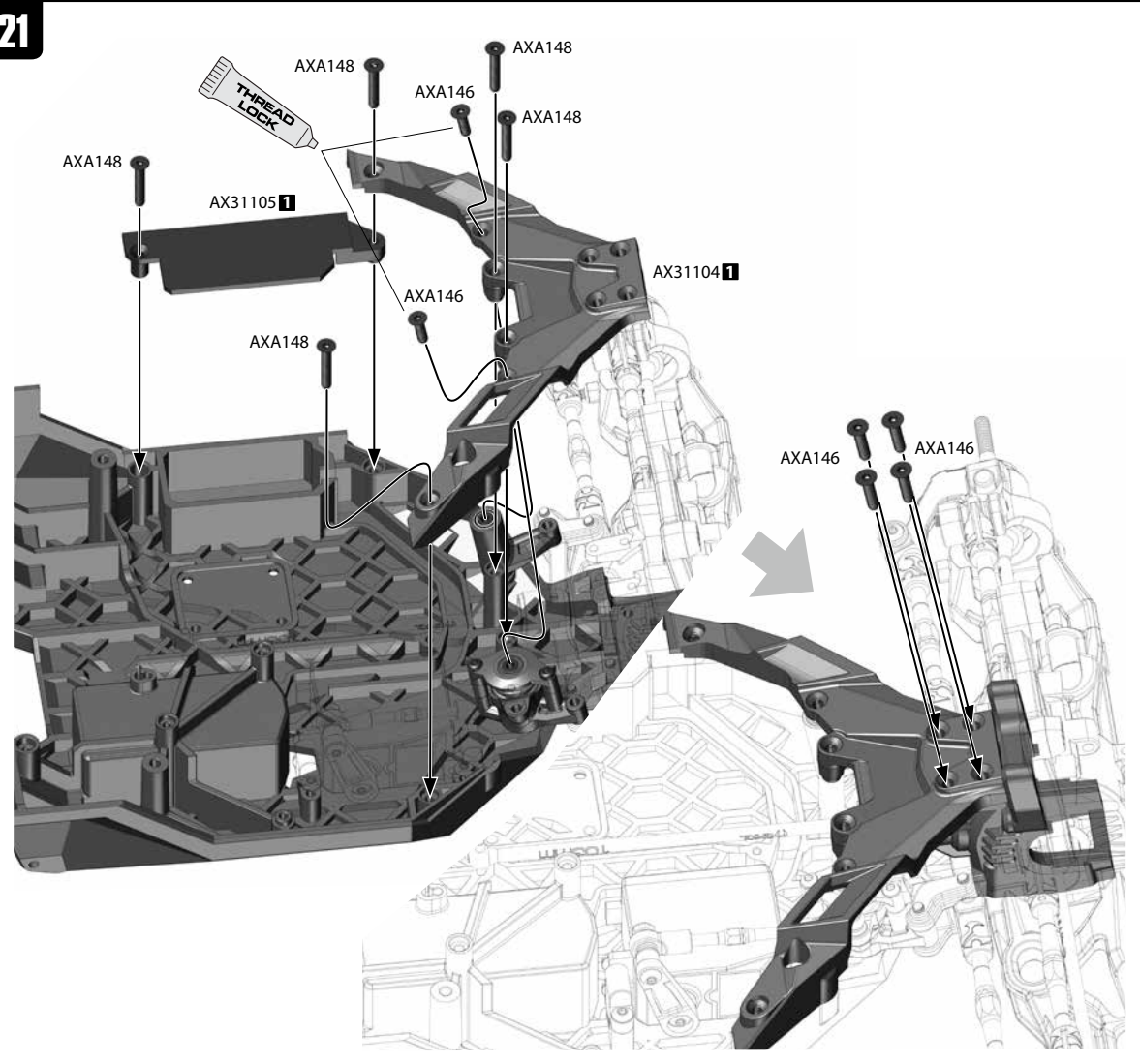
20

-  **AXA0109**
M3x12mm Oversized Flat Hex Socket **x4**
-  **AXA0113** **x1**
M3x6mm
-  **AXA116** **x2**
M3x12mm
-  **AXA117** **x1**
M3x15mm
-  **AXA1052** **x1**
M3 Thin Nylon Locking Hex Nut



21

-  **AXA146** **x6**
Hex Socket Flat Head M3x12mm
-  **AXA148** **x5**
M3x18mm





AXA117
M3x15mm **x2**



AX31119
M3x35mm HexSocket Button Head **x1**



AXA121
M3x30mm **x1**

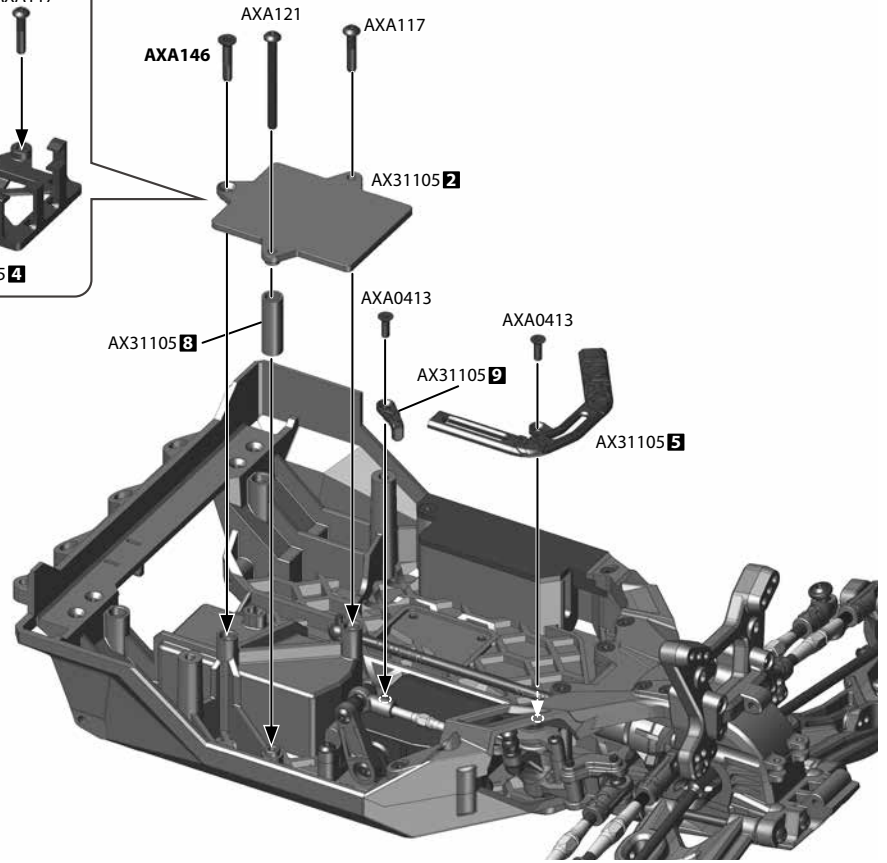
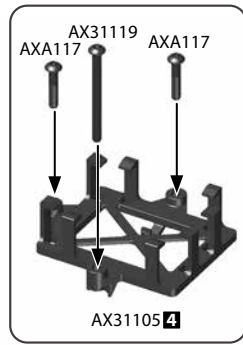


AXA146
M3x12mm **x1**

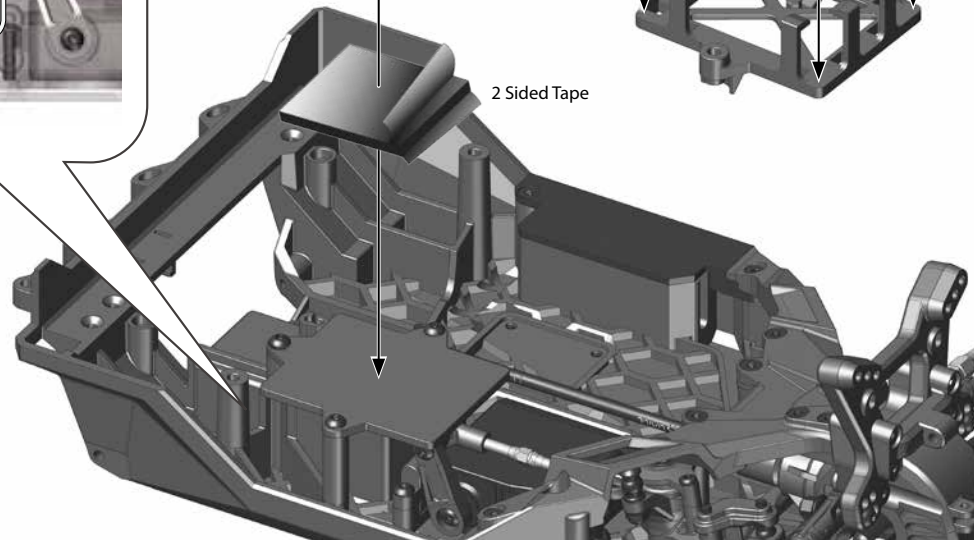
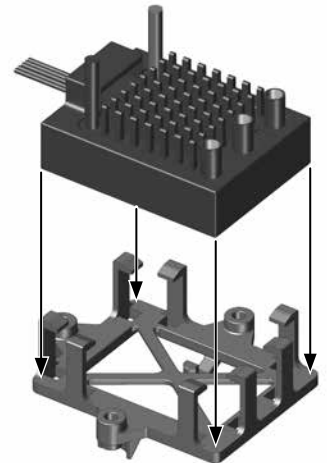
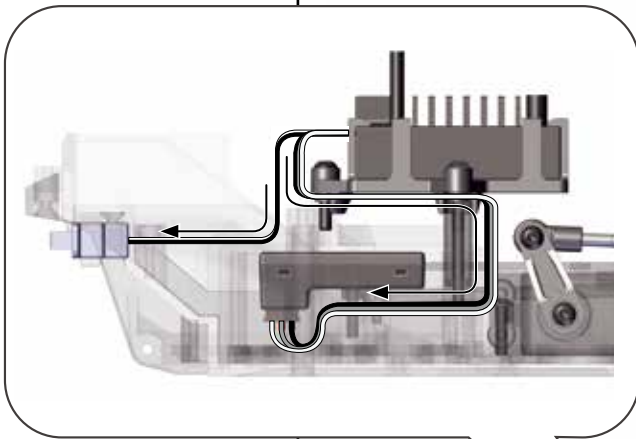


AXA0413
M2.6x8mm **x2**

22

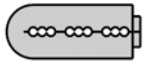


23





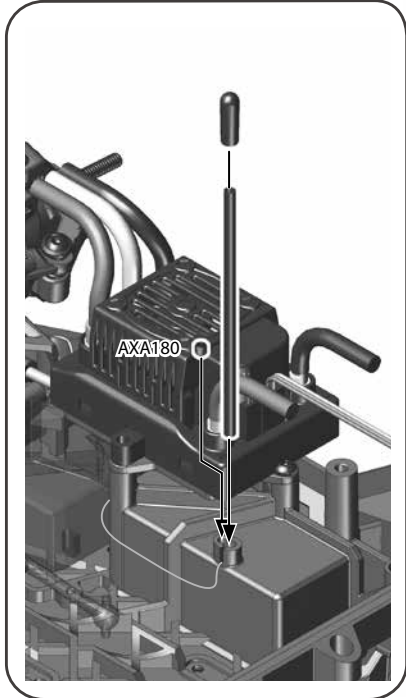
AX31083
Radio Box Seals **x1**



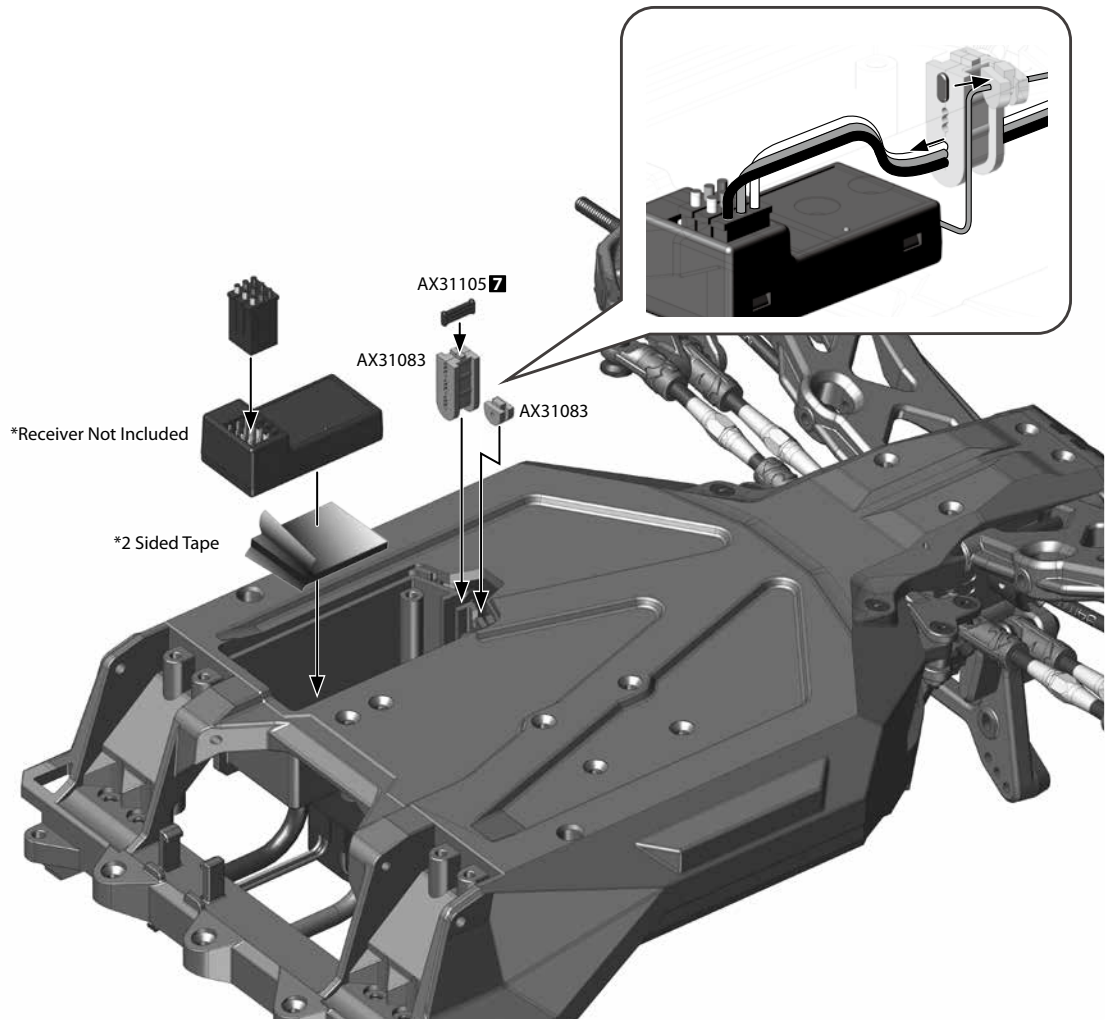
AX31083
Radio Box Seals **x1**



AXA180
M3x3 mm **x1**



24

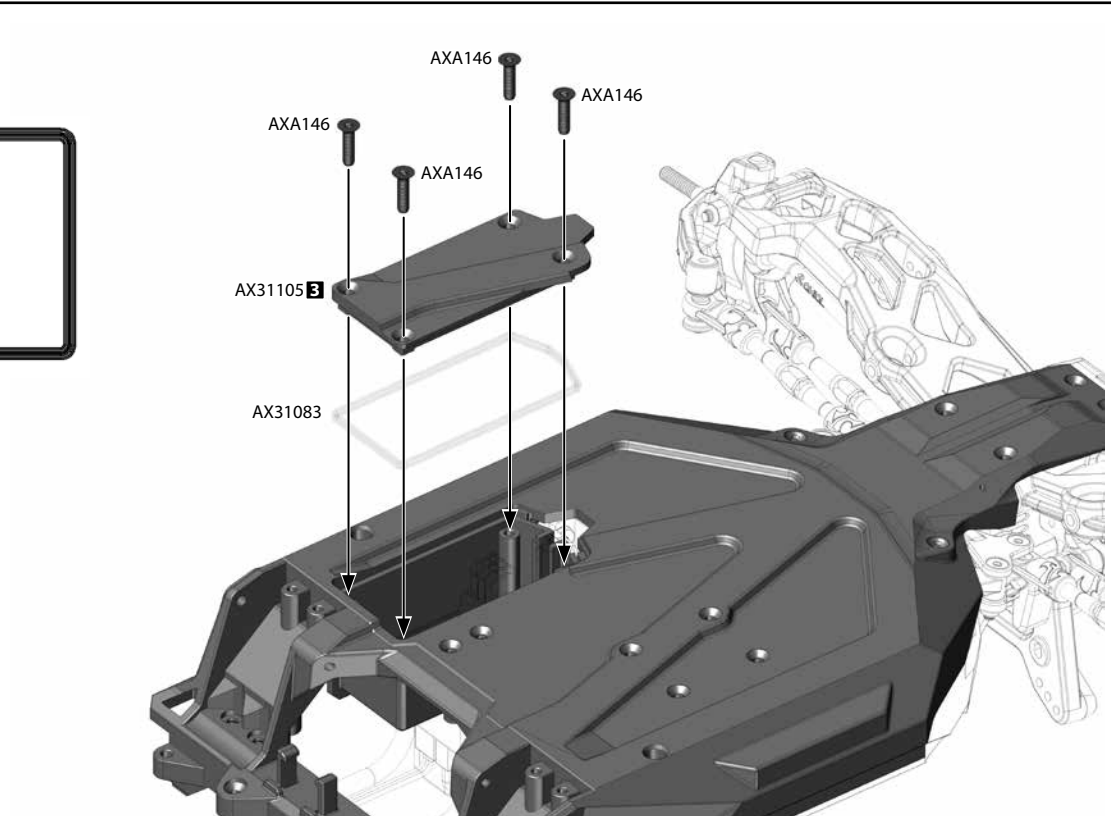


AXA146
Hex Socket Flat Head M3x12mm **x4**

25



AX31083
Radio Box Seals **x1**



AX30163 x2
Pin 2x10mm

AXA1391 x2
E4 e-clip

AXA1221 x4
Bearing 5x11x4mm

AX31130 x1
High Speed Transmission Gear Set 26T

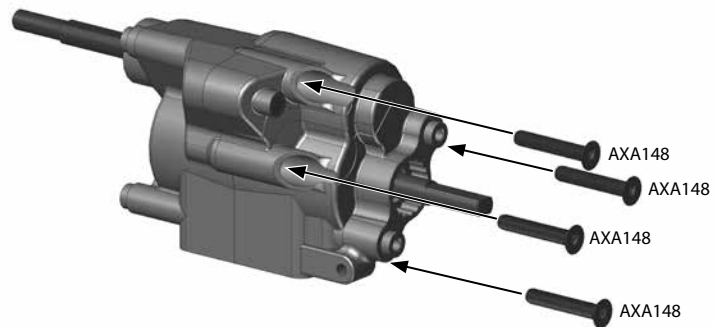
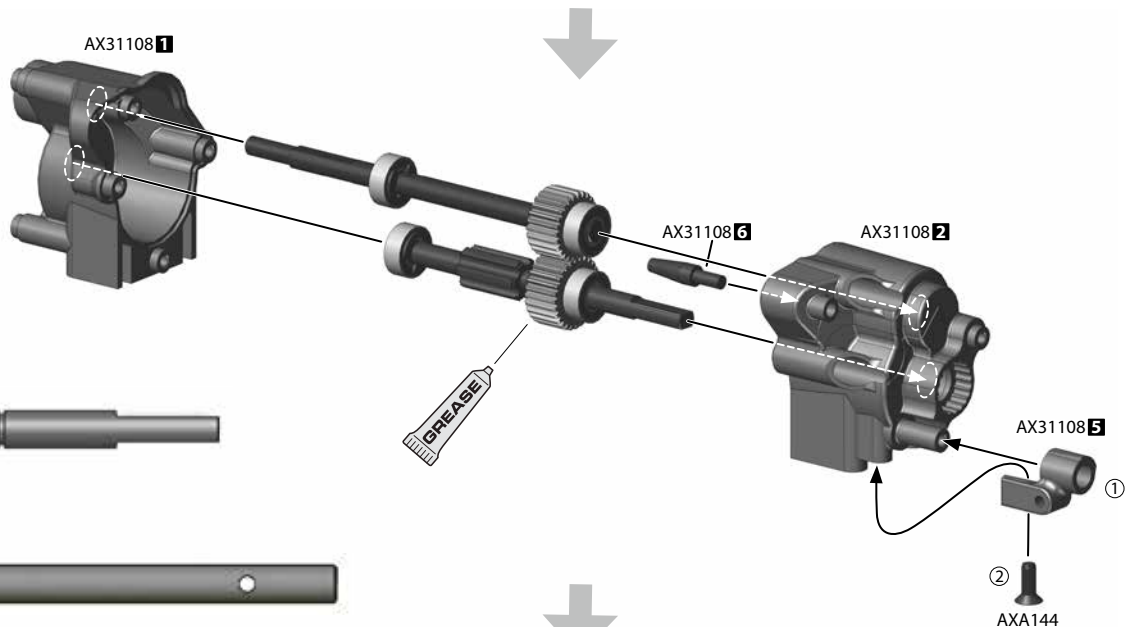
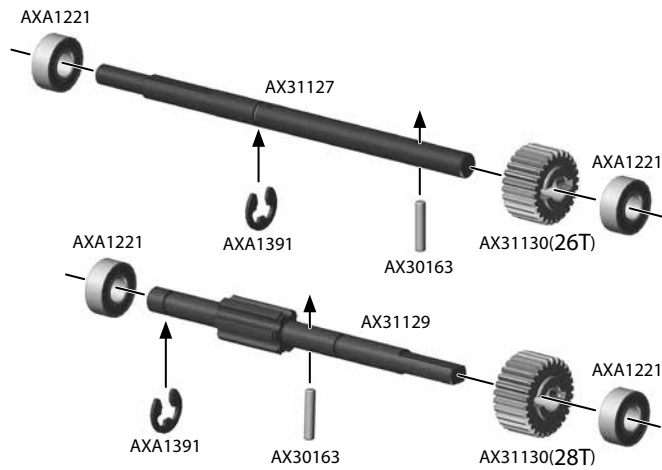
AX31130 x1
High Speed Transmission Gear Set 28T

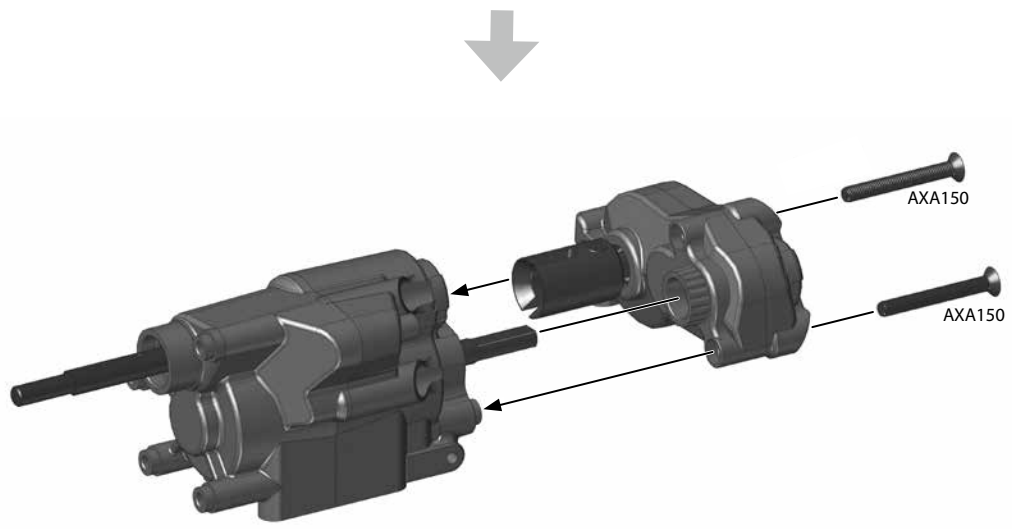
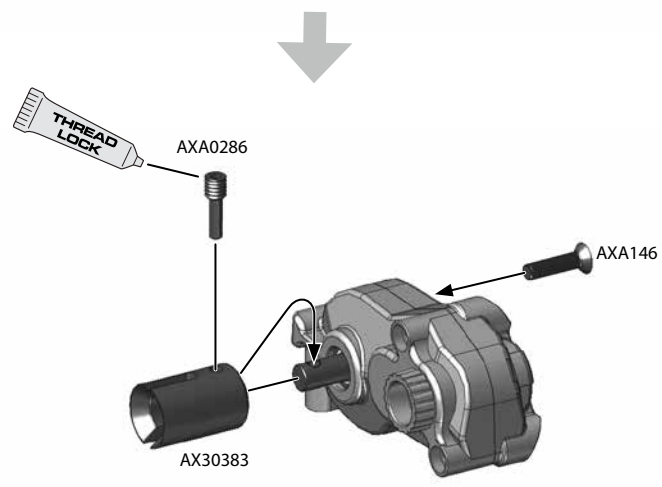
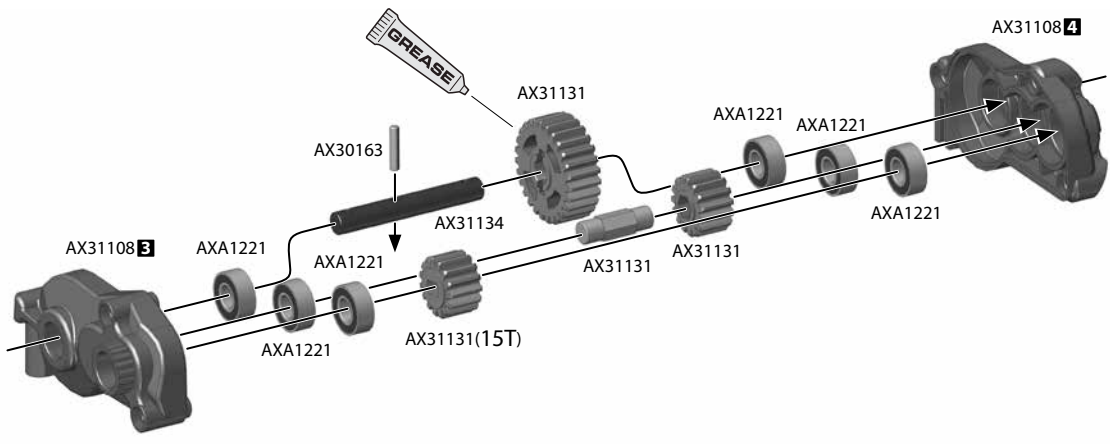
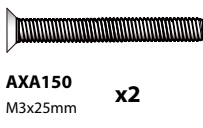
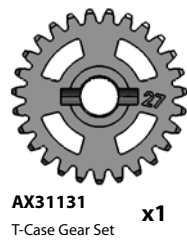
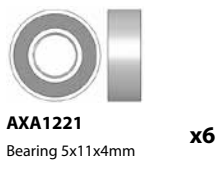
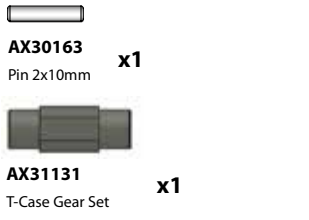
AX31129 x1
2-Speed Hi/Lo Transmission Bottom Shaft (5x75mm)

AX31127 x1
2-Speed Hi/Lo Transmission Top Shaft (5x91mm)

AXA144 x1
M3x8mm

AXA148 x4
M3x18mm



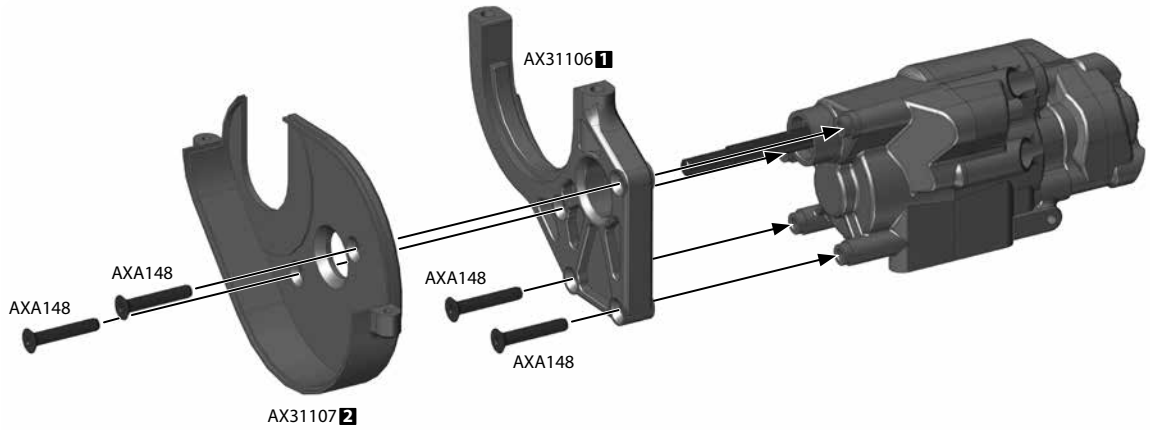




AXA148
M3x18mm

x4

28



Option Parts



AX31156
Machined Adjustable Motor Mount (Hard Anodized)



AX30413
Slipper Spring 8.5x12 x1



AXA1045
M4 Nylon Lock Nut x1

29

Option Parts

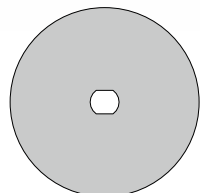
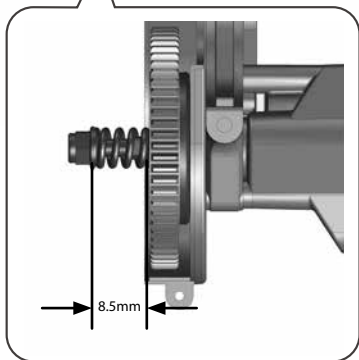
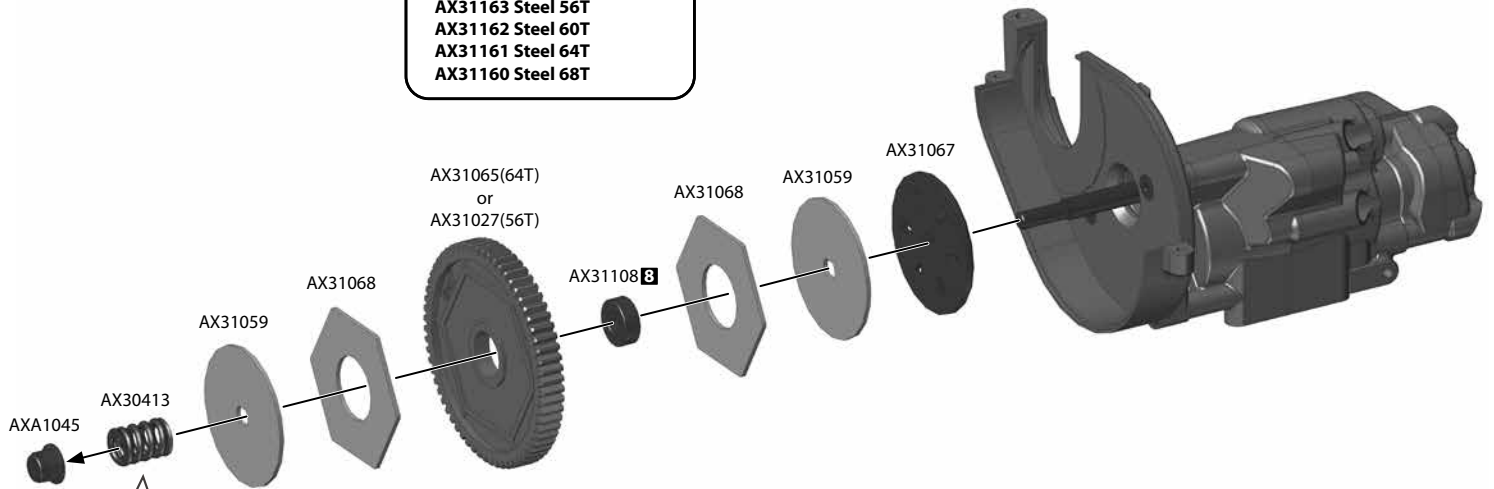


AX31163 Steel 56T
AX31162 Steel 60T
AX31161 Steel 64T
AX31160 Steel 68T

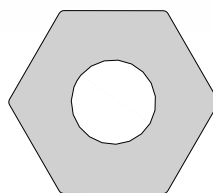
Option Parts



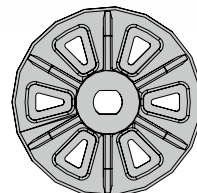
AX31164
Machined Slipper Plate (Hard Anodized) (2pcs)



AX31059
Slipper Plate 1mm x2



AX31068
Slipper Pad 1mm x2



AX31067
Slipper Plate x1



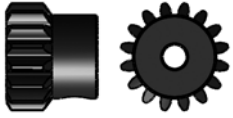
AX31065
64T Spur Gear x1



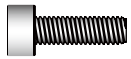
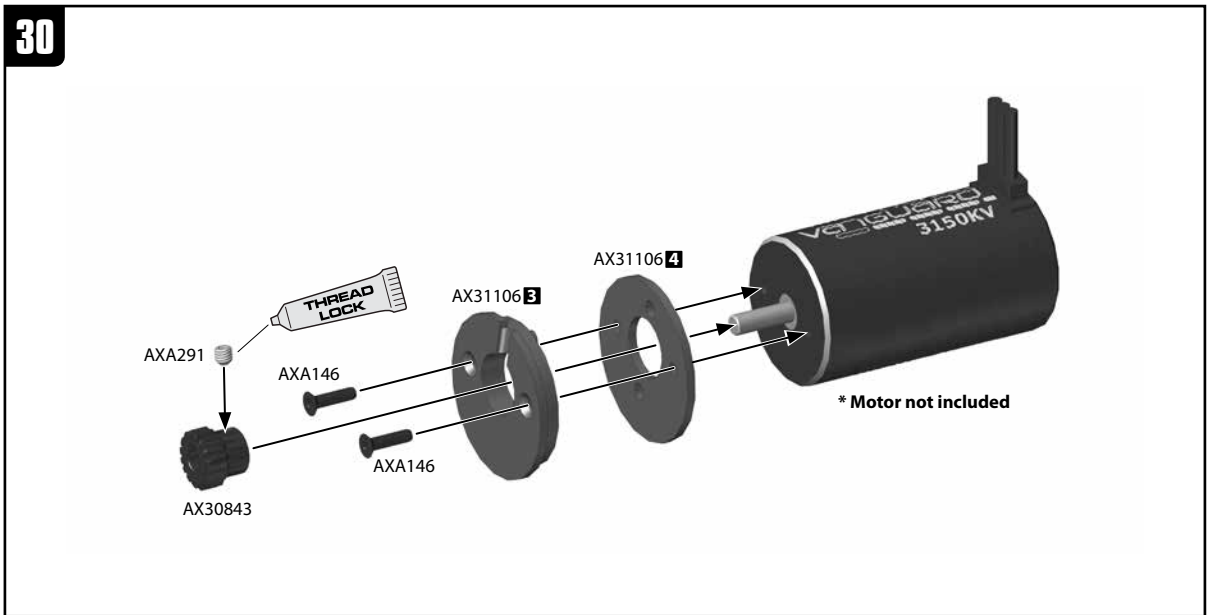
AXA291
M4x4mm Set Screw (Black) **x1**



AXA146
Hex Socket Flat Head M3x12mm **x2**



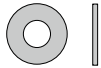
AX30843
Pinion Gear 32P 17T - Steel
(5mm Motor Shaft) **x1**



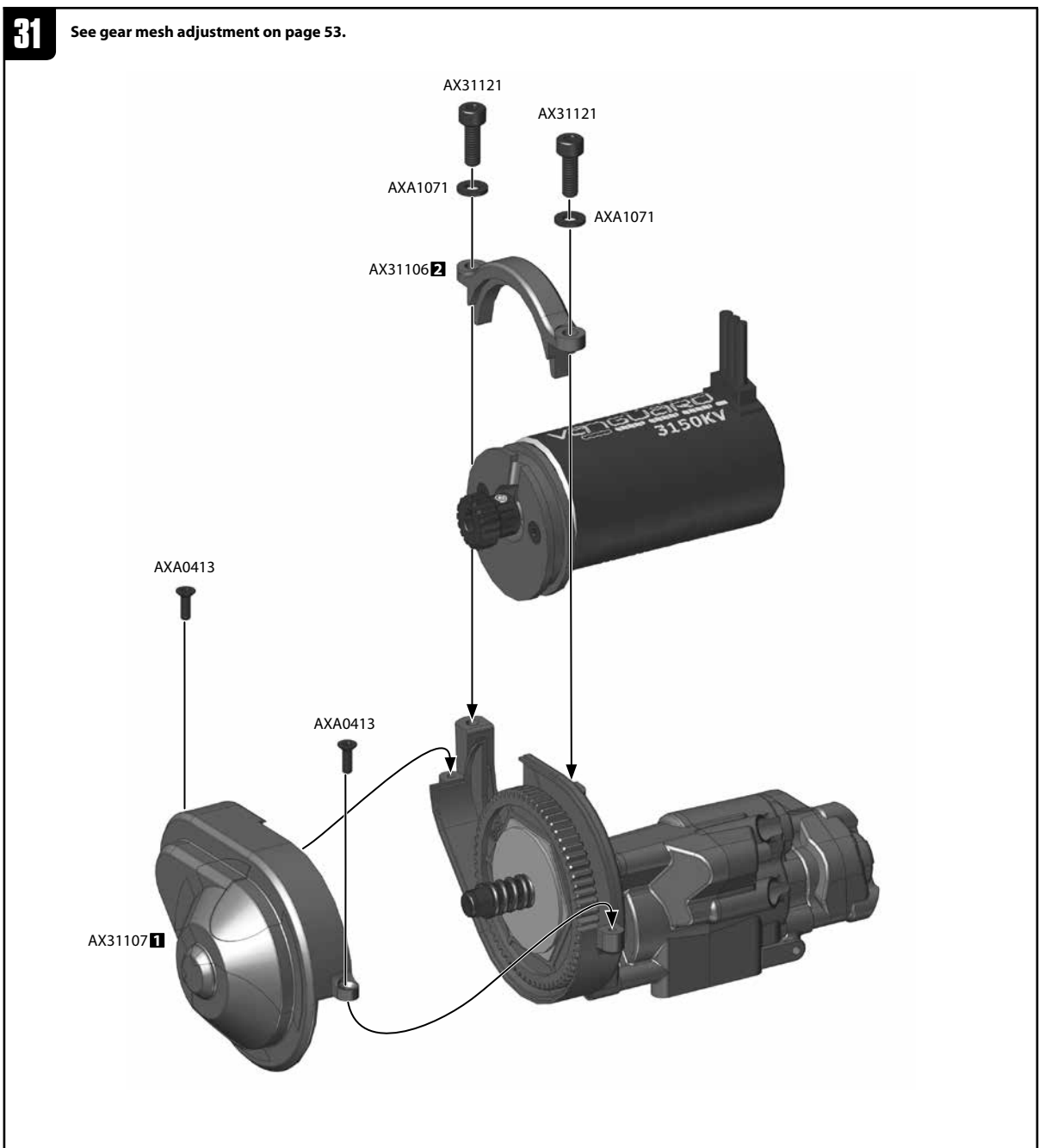
AX31121
M4x12mm **x2**



AXA0413
M2.6x8mm **x2**



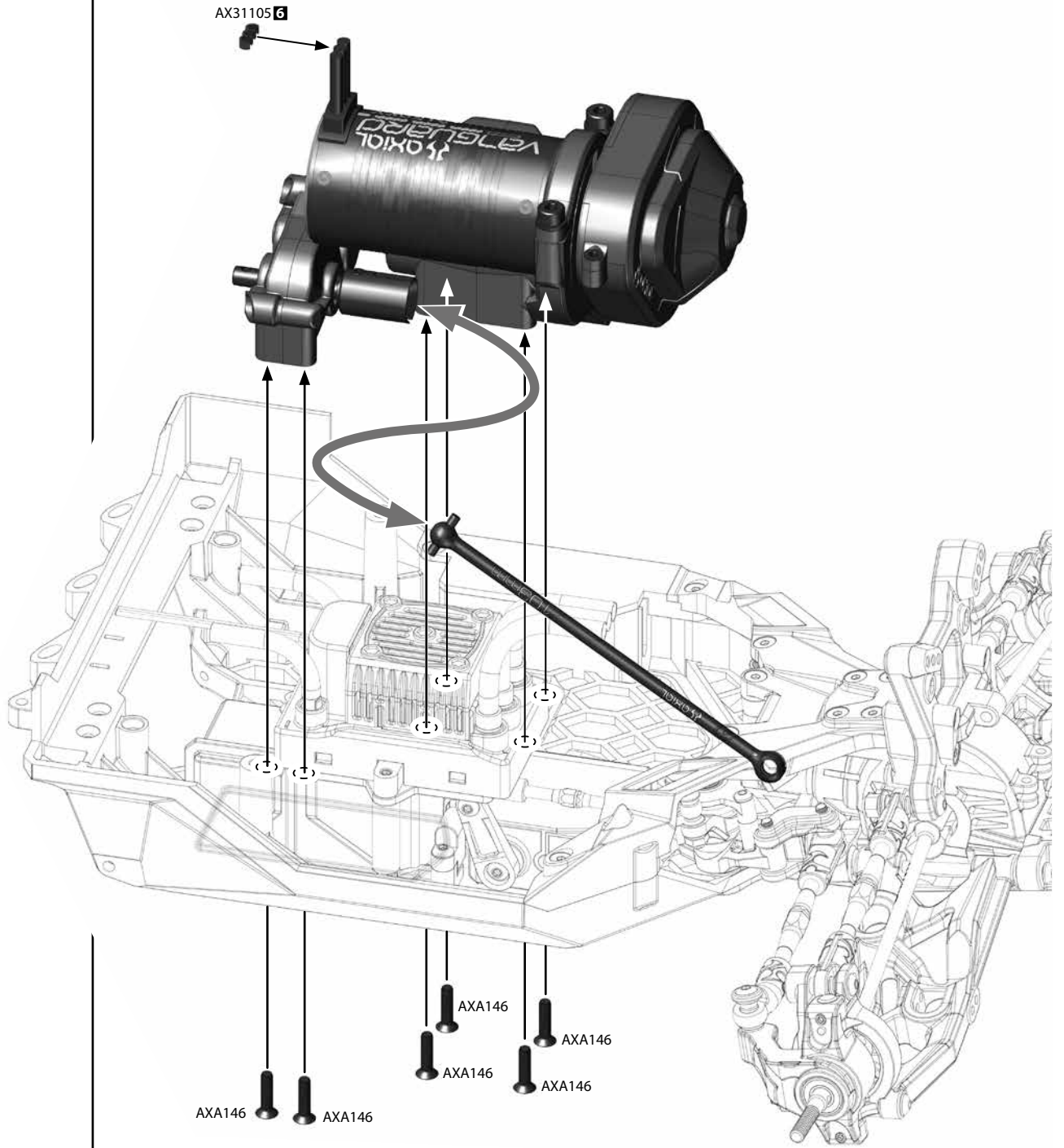
AXA1071
Washer 4x8x0.5mm **x2**





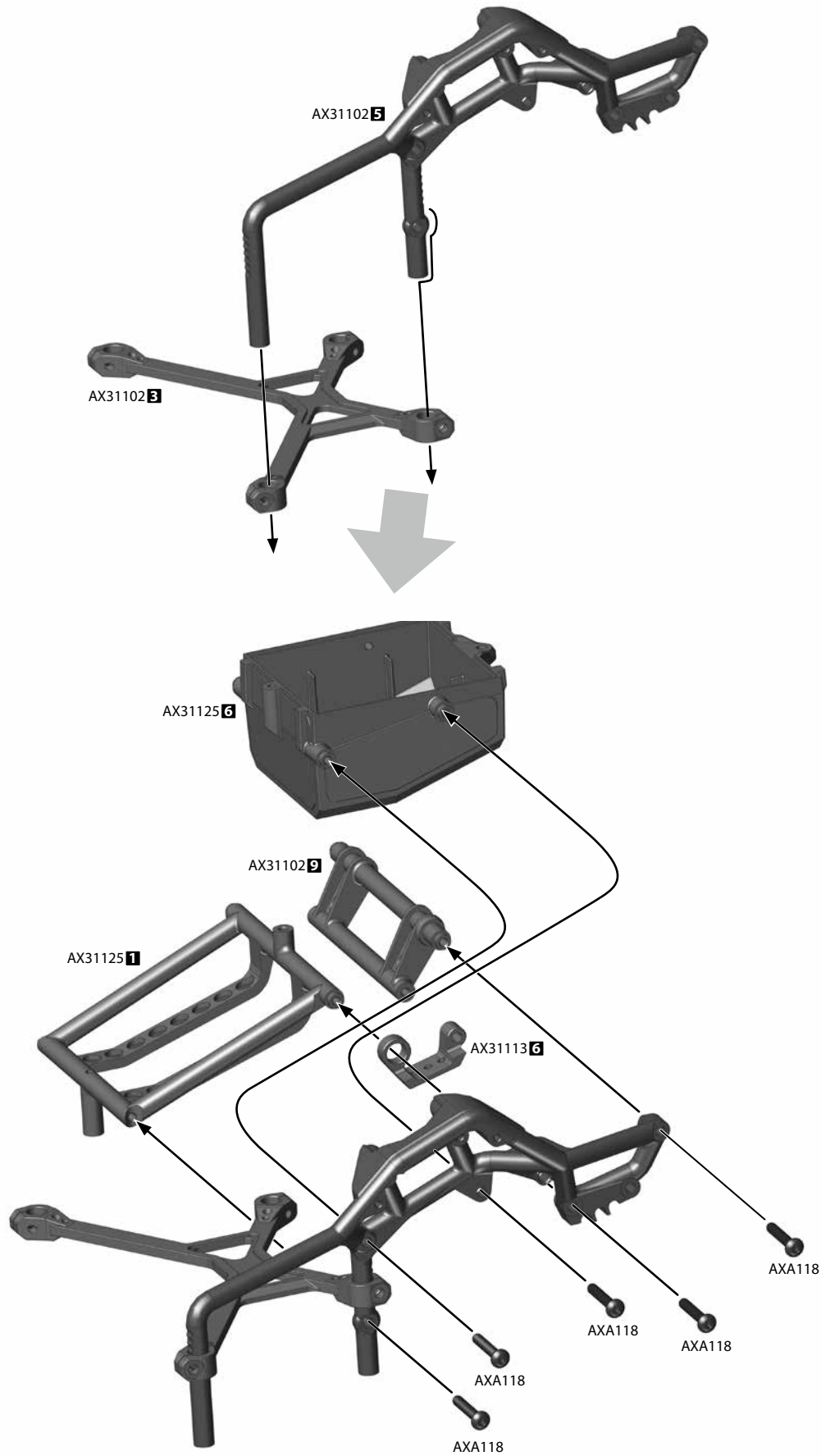
AXA146
M3x12mm




x6

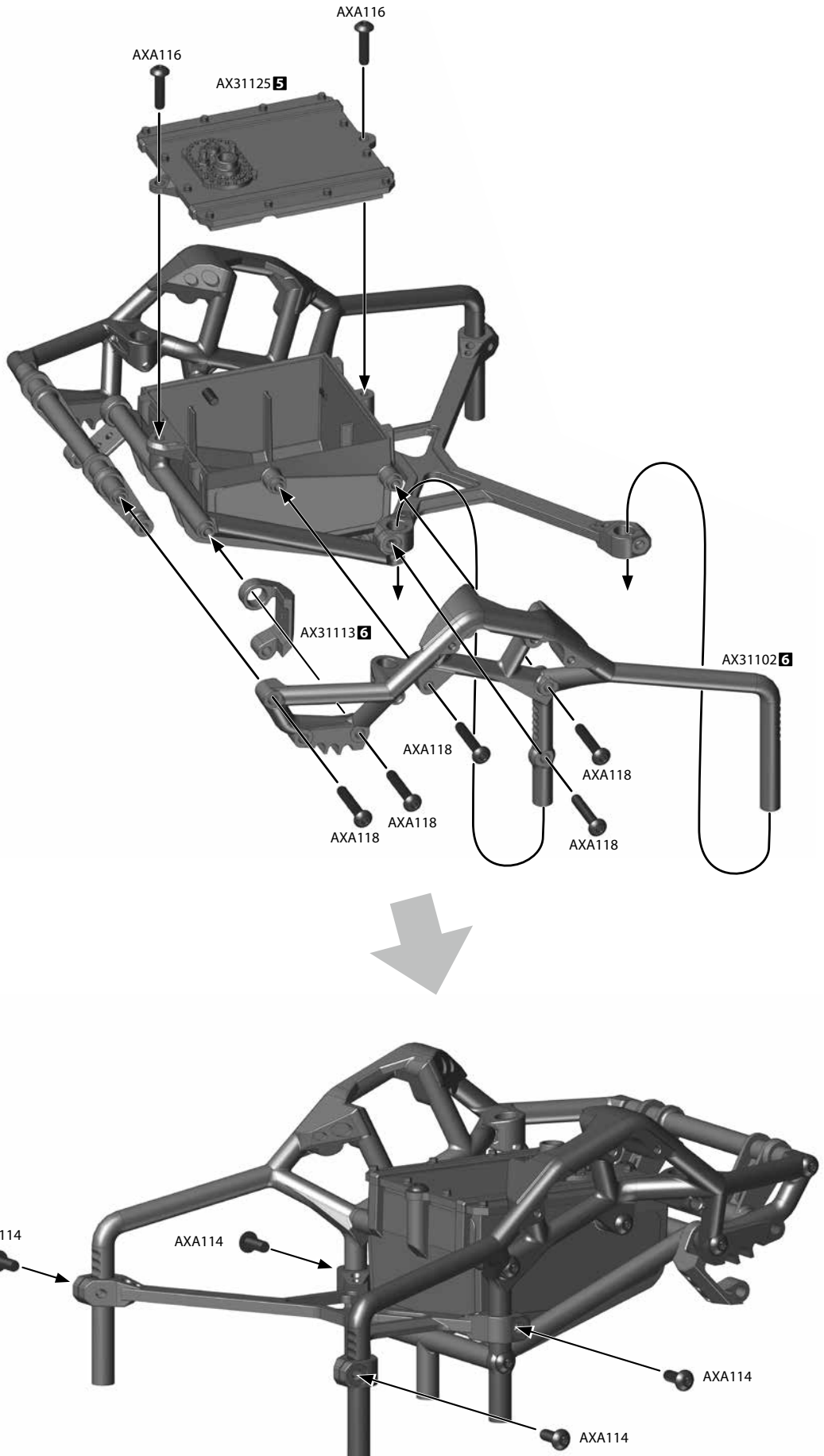


E**Open Bag E****3****Open Plastic Bag 3****AXA118**
M3x18mm**x5****33**

See battery tray access and setup on page 55

**Option Parts****AX31167**
Machined Sway Bar Clamp (Hard Anodized) (2pcs)

-  **AXA114**
M3x8mm **x4**
-  **AXA116**
M3x12mm **x2**
-  **AXA118**
M3x18mm **x5**

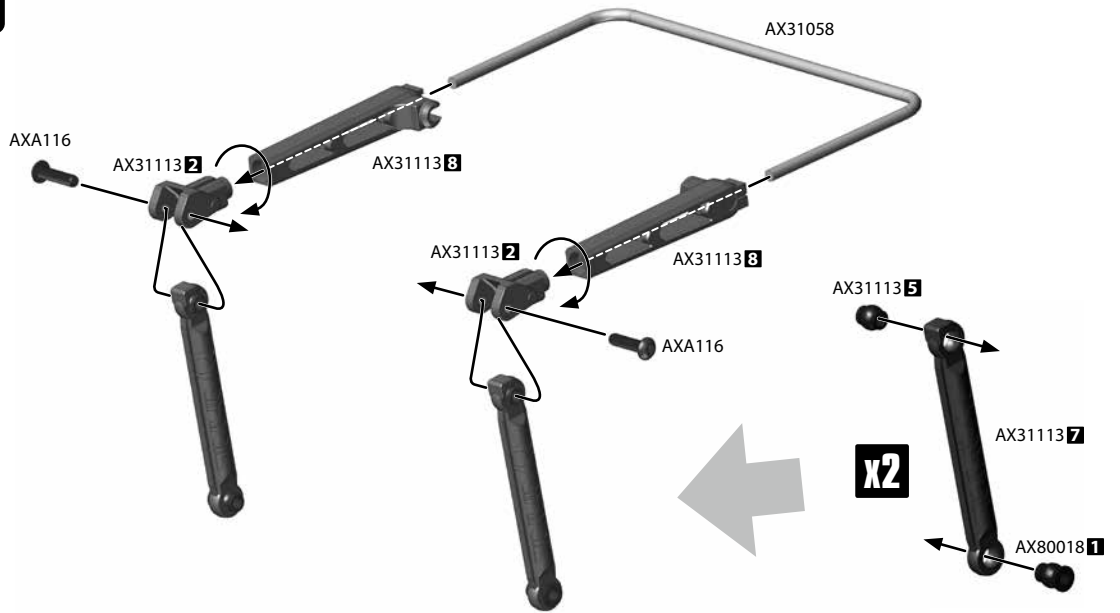




AXA116
M3x12mm

x2

35



AXA118
M3x18mm

x2

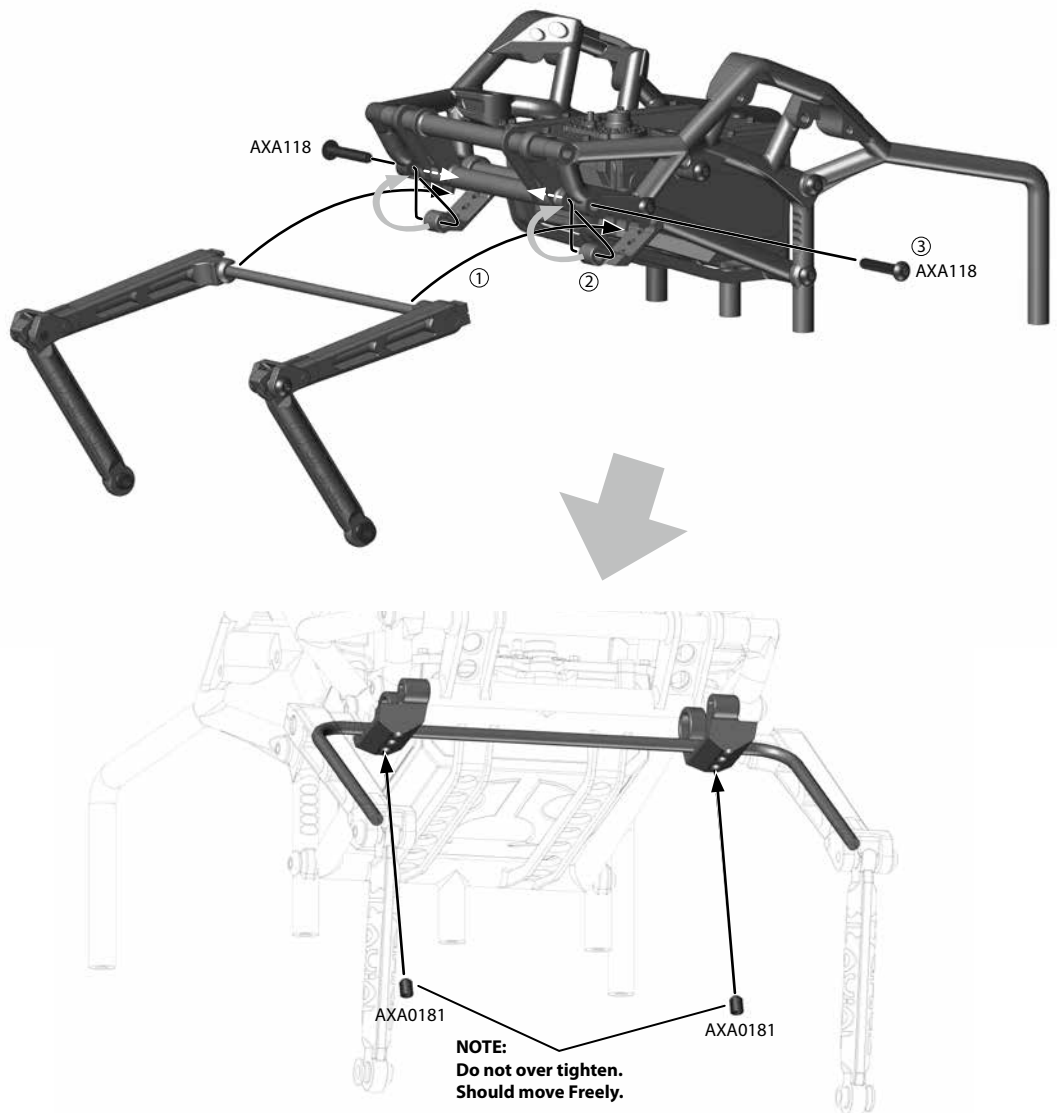


AXA0181

M3x4mm Set Screw (Black)

x2

36



AX31148
4.5x6.5mm joint Pin **x1**

AX31028
Pin 2x11mm **x1**

AXA0286
m4x2.5x12mm **x1**

AX31148
WB8-HD Driveshaft Coupler Set **x1**

AX31148
WB8-HD Driveshaft Coupler Set **x1**

AXA144
M3x8mm **x1**

AX31148
4.5x6.5mm joint Pin **x1**

AX31028
Pin 2x11mm **x1**

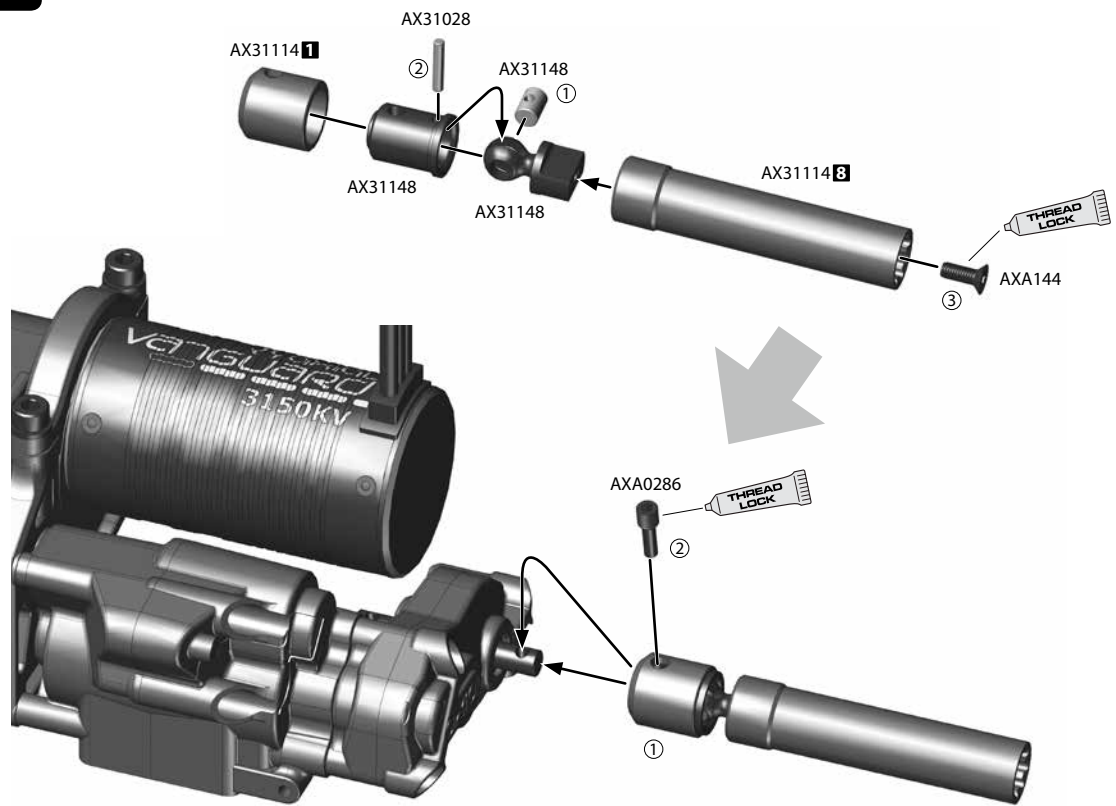
AXA0286
m4x2.5x12mm **x1**

AX31148
WB8-HD Driveshaft Coupler Set **x1**

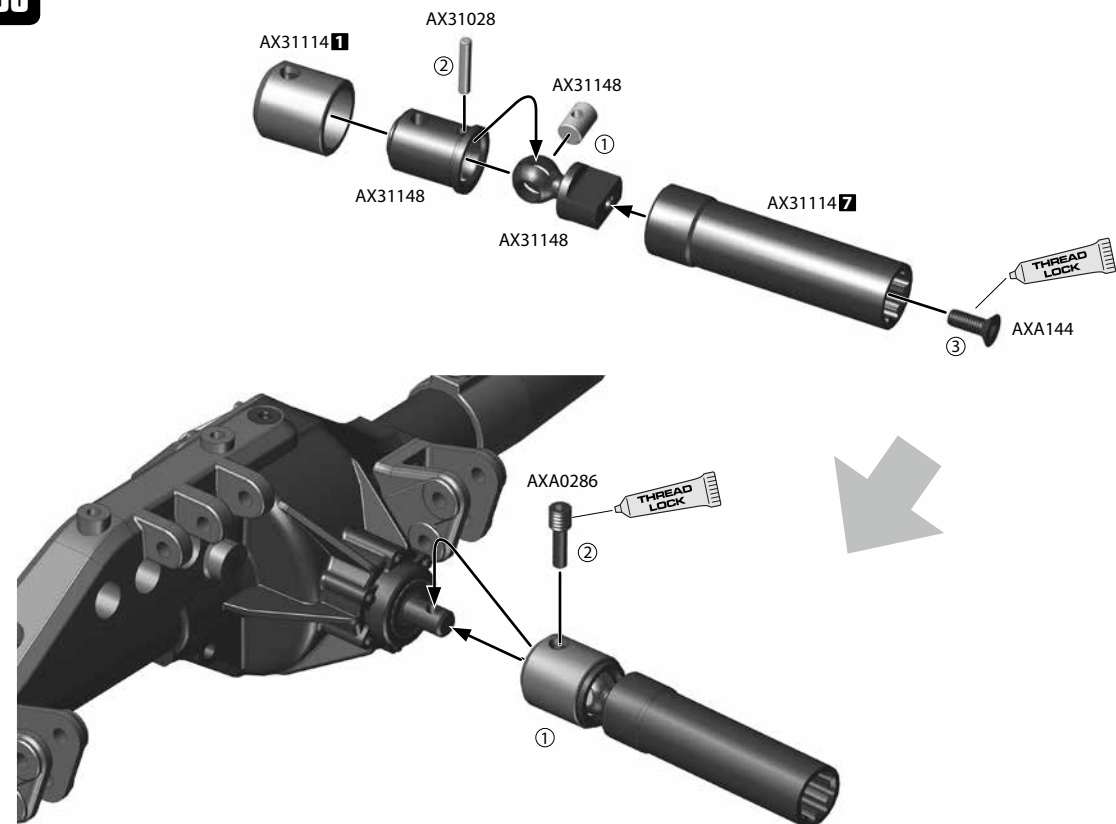
AX31148
WB8-HD Driveshaft Coupler Set **x1**



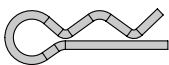
AXA144
M3x8mm **x1**

37

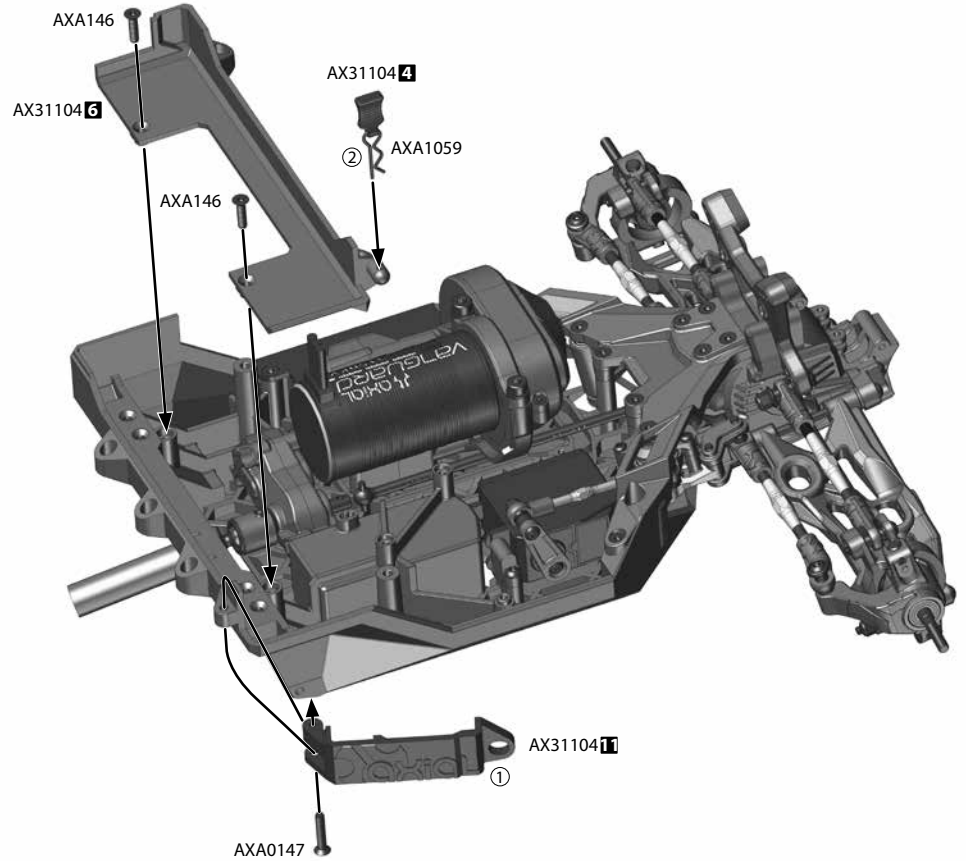





38



-  **AXA146**
M3x12mm x2
-  **AXA0147**
M3x16mm x1
-  **AXA1059**
6mm Body Clip x1

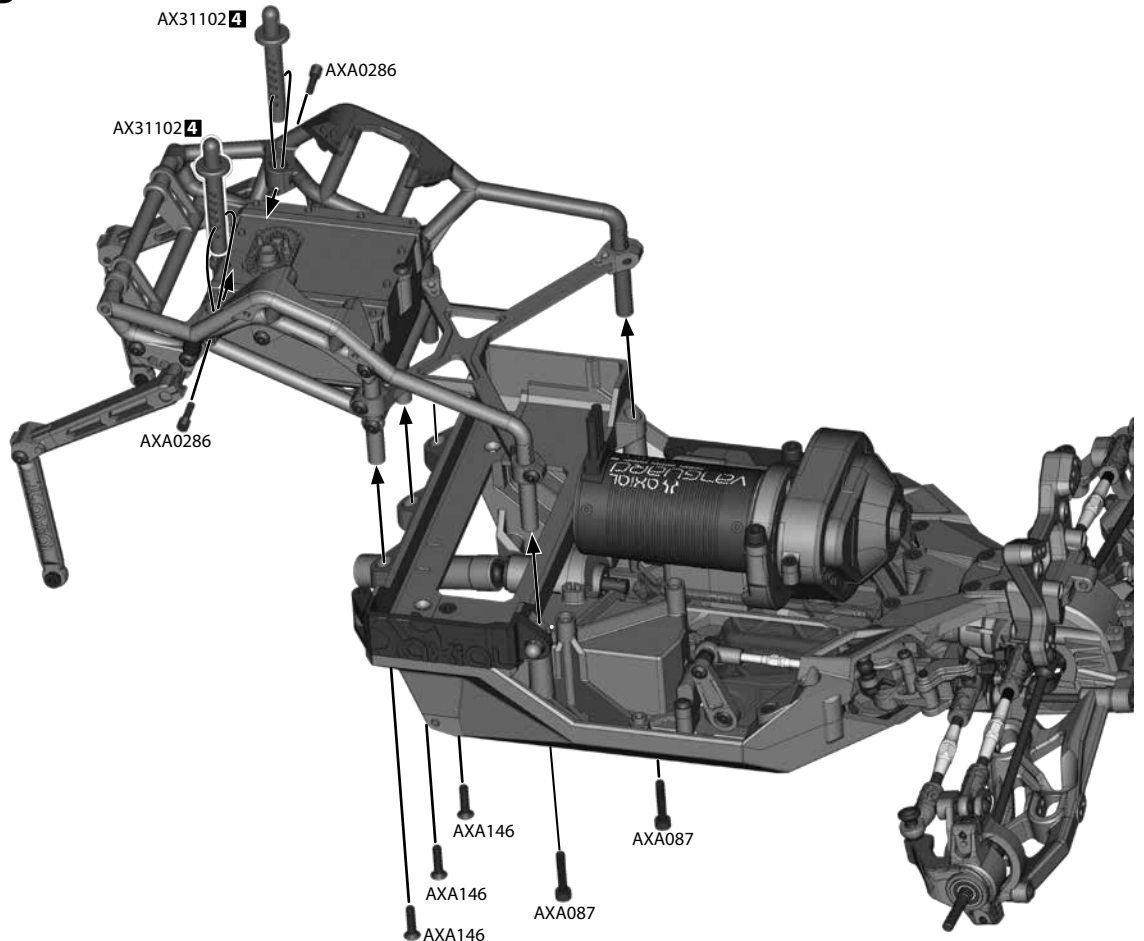
39



-  **AXA087**
M3x16mm x2
-  **AXA146**
M3x12mm x3
-  **AXA0286**
M4x2.5x12mm x2

40

See battery tray access and setup on page 52

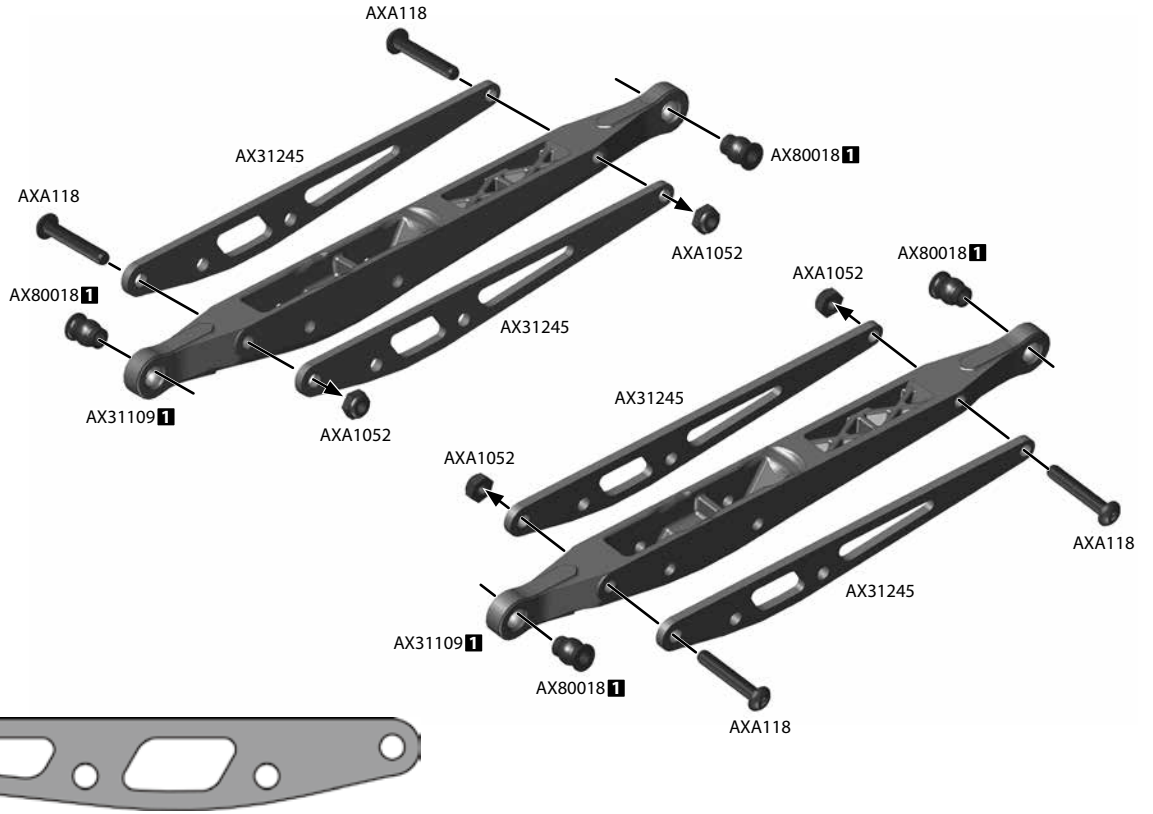




AXA1052
M3 Thin Nylon Locking Hex Nut **x4**



AXA118
M3x18mm **x4**



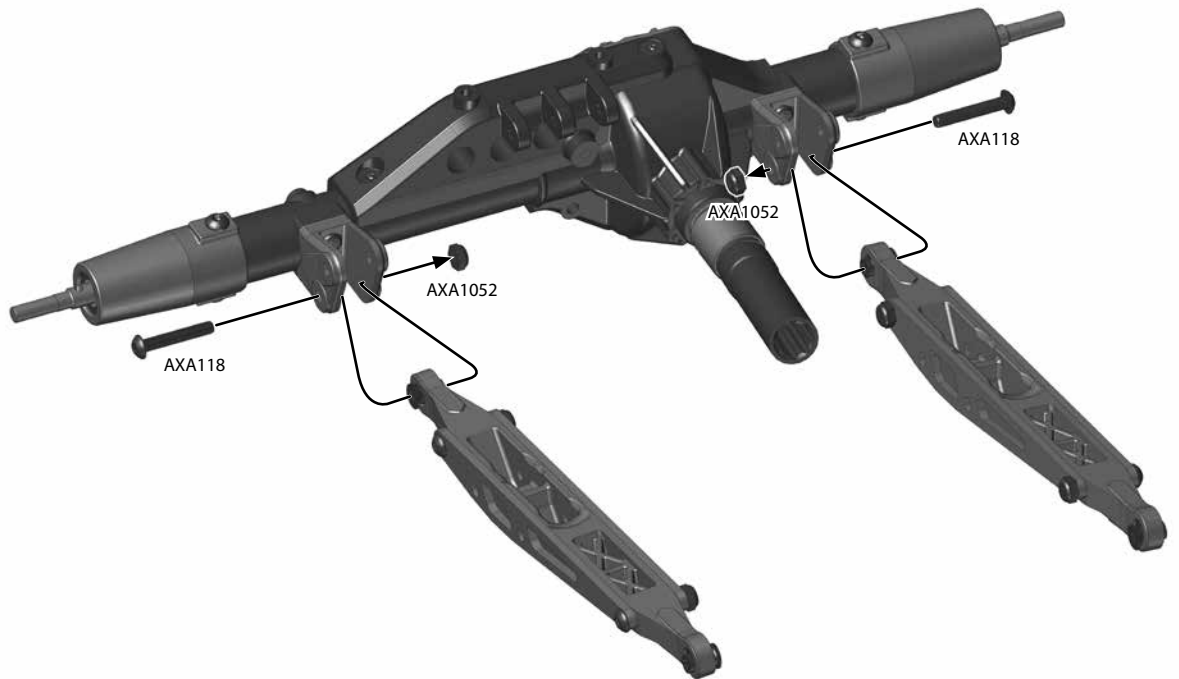
AX31245
Lower Link Plate Set (Aluminum) **x4**



AXA118
M3x18mm **x2**



AXA1052
M3 Thin Nylon Locking Hex Nut **x2**



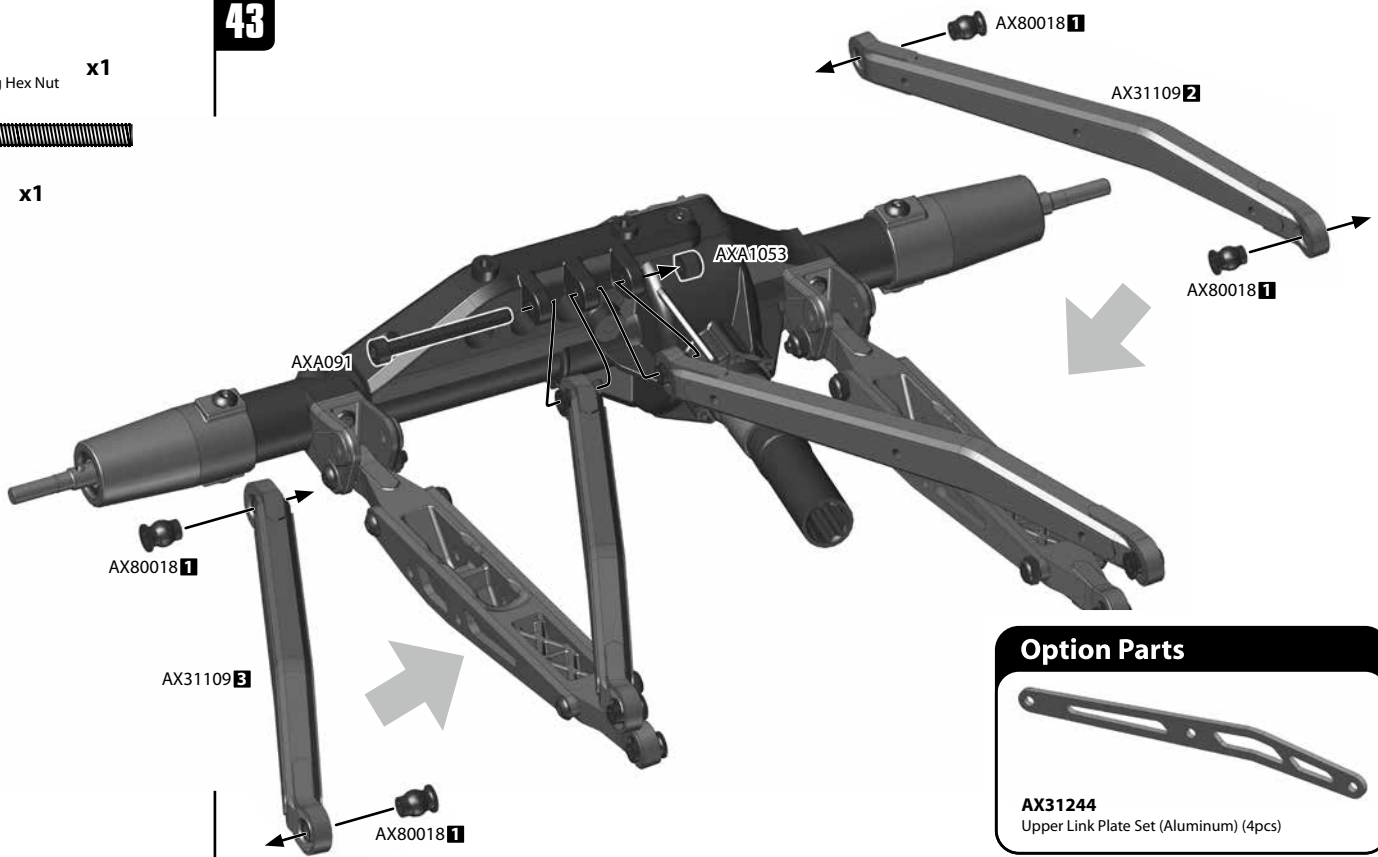


AXA1053
M3 Nylon Locking Hex Nut **x1**



AXA091
M3x30mm **x1**

43



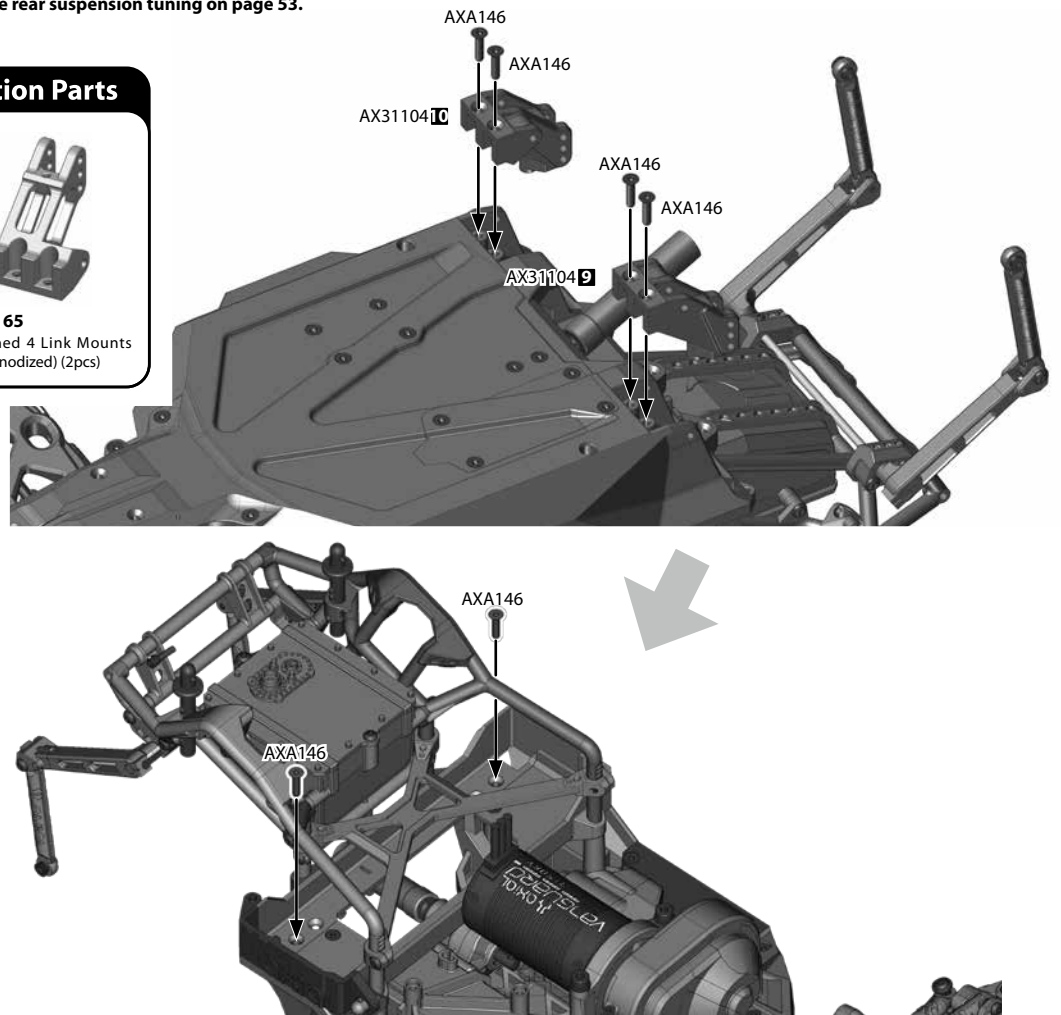
AXA146
Hex Socket Flat Head M3x12mm **x6**

44

See rear suspension tuning on page 53.

Option Parts

AX31165
Machined 4 Link Mounts
(Hard Anodized) (2pcs)





AXA119
M3x20mm **x2**

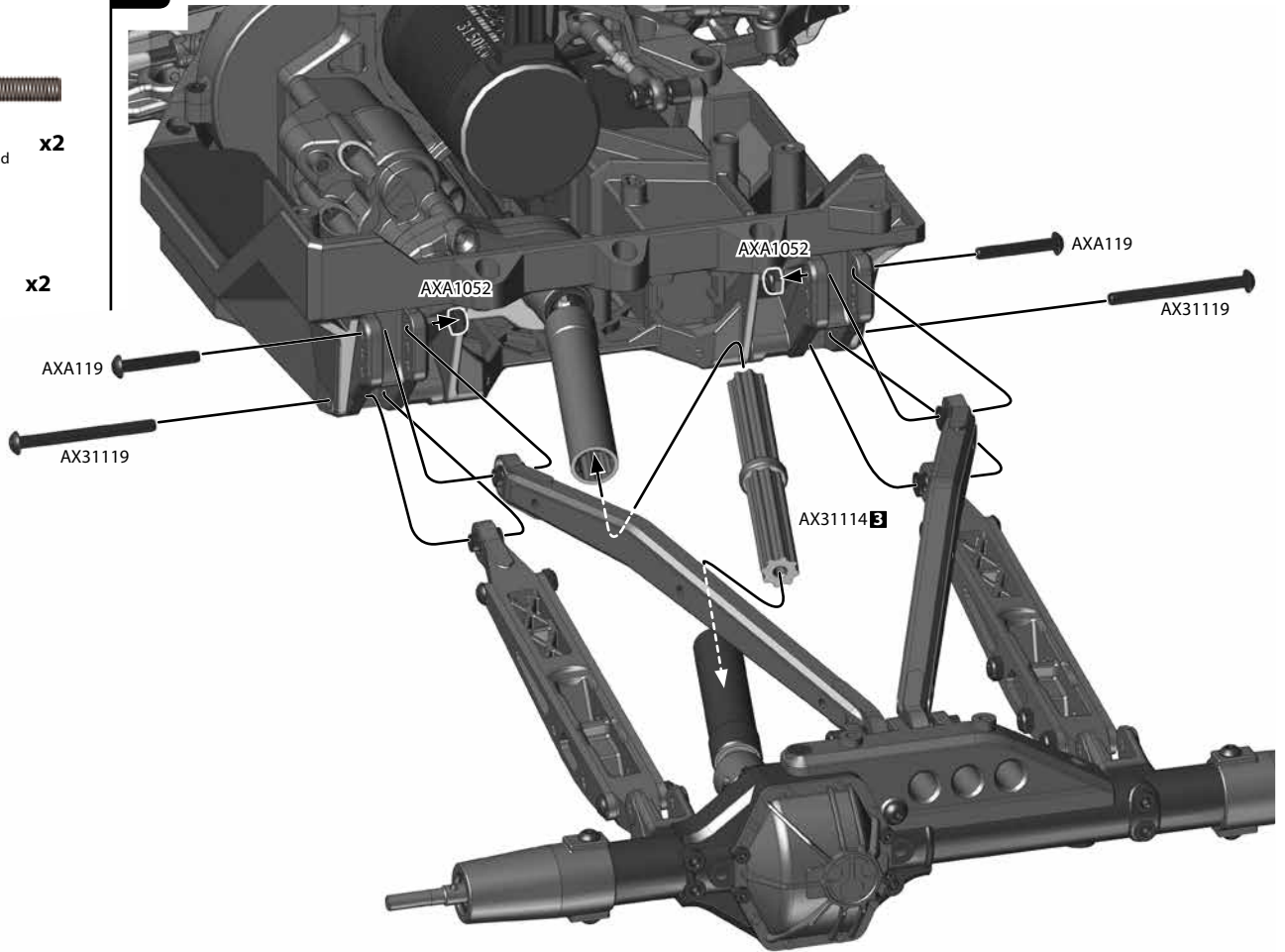


AX31119
M3x35mm HexSocket Button Head **x2**



AXA1052
M3 Thin Nylon Locking Hex Nut **x2**

45 See rear suspension tuning on page 53.

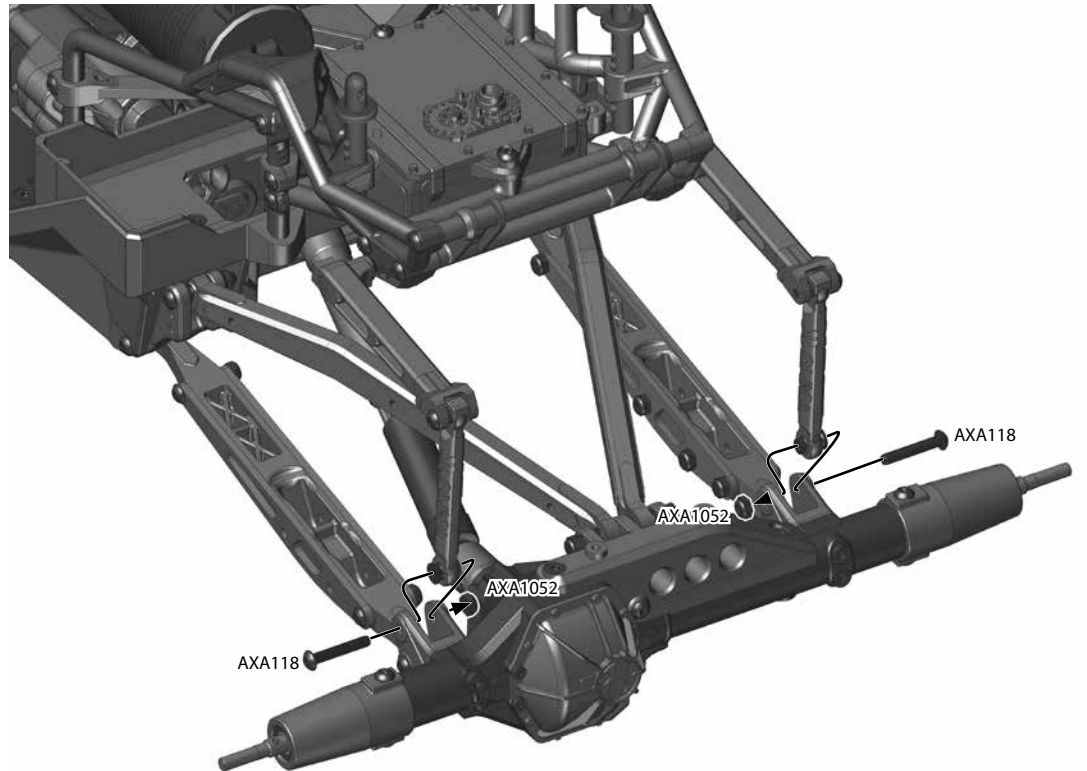


AXA118
M3x18mm **x2**



AXA1052
M3 Thin Nylon Locking Hex Nut **x2**

46



AXA1041
M2.5 Nylon Lock Nut **x4**

AX30113
Rubber Bump Stop 3.6x7x4 **x4**

AXA1202
O-Ring 3.5x2mm **x8**

AXA1184
O-Ring 7.5x1.5mm **x4**

AXA1069
WASHER 2.7x6.7x0.5 **x8**

AX30438
Axial Delrin 10mm Machined Piston-1.2 **x4**

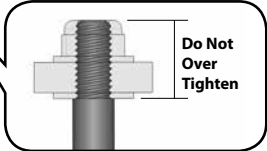
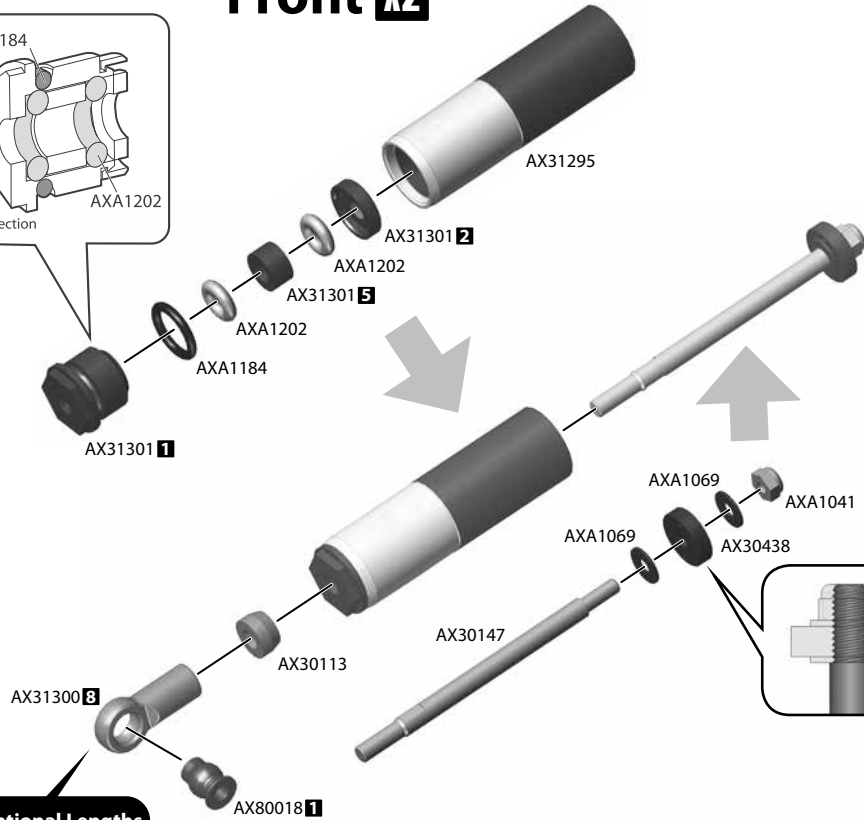
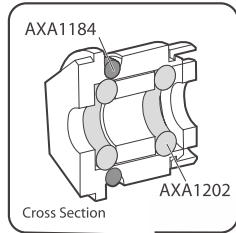
AX31296
Aluminum Shock Body 12x59mm **x2**

AX31295
Aluminum Shock Body 12x41.5mm **x2**

AX31054
Shock Shaft 3x71 **x2**

AX30147
Shock Shaft 3x53.5 **x2**

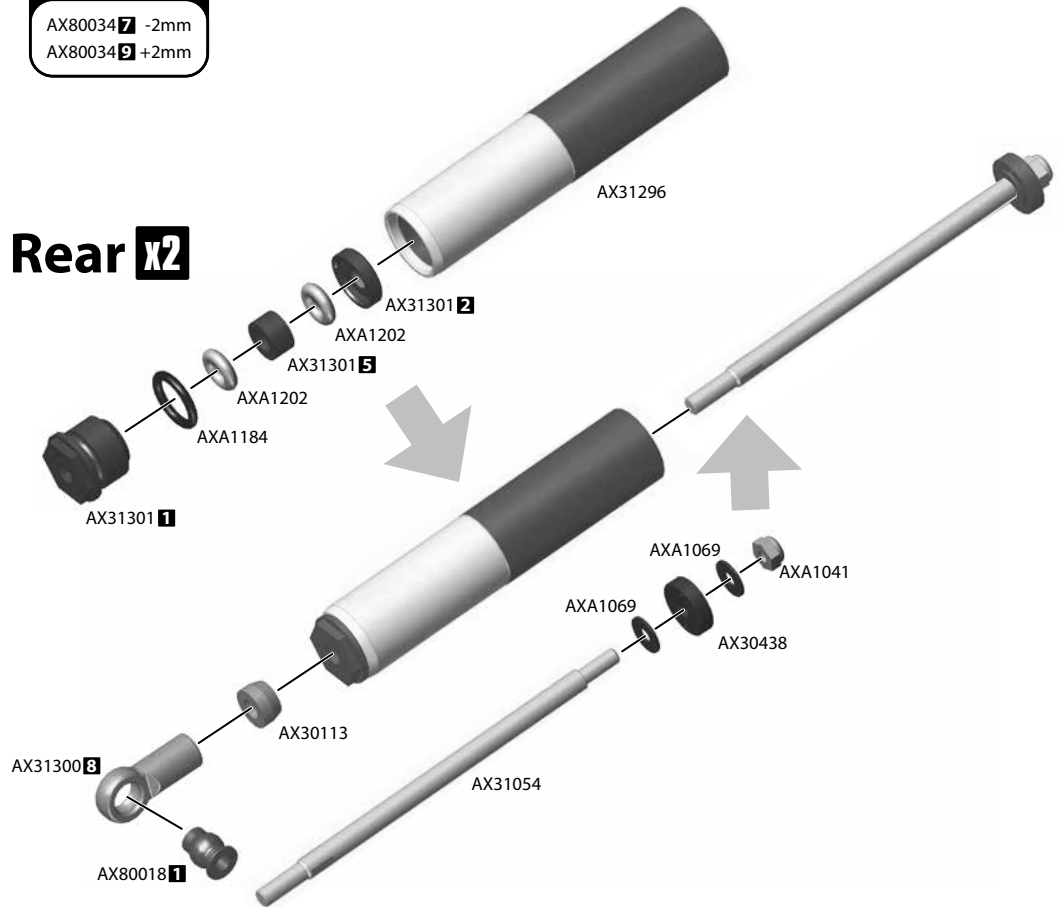
Front x2



Optional Lengths

AX80034 7 -2mm
AX80034 9 +2mm

Rear x2

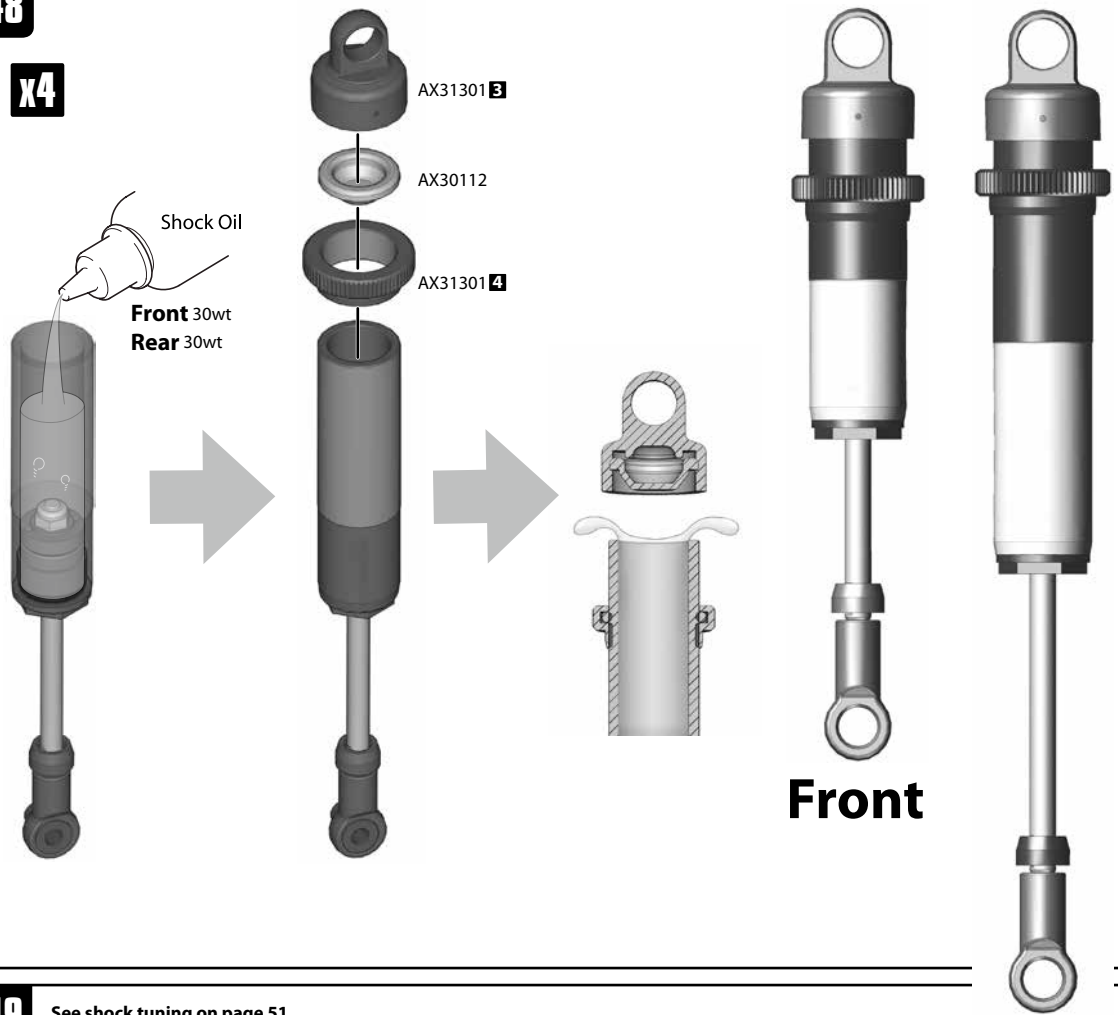




AX30112
Shock Diaphragm 13x4.5mm **x4**

48

x4



Option Parts



(AX31136)

- AX30213**
Spring 14x90mm 1.32 lbs/in - (Red)
- AX30214**
Spring 14x90mm 1.71 lbs/in - (White)
- AX30215**
Spring 14x90mm 2.25 lbs/in - (Green)
- AX30216**
Spring 14x90mm 2.78 lbs/in - (Yellow)
- AX30217**
Spring 14x90mm 3.01 lbs/in - (Blue)

(AX31172)

- AX30226**
Spring 14x54mm 2.64 lbs/in - (Red)
- AX30227**
Spring 14x54mm 3.4 lbs/in - (White)
- AX30228**
Spring 14x54mm 3.85 lbs/in - (Green)
- AX30229**
Spring 14x54mm 4.33 lbs/in - (Yellow)
- AX30230**
Spring 14x54mm 4.95 lbs/in - (Blue)

49

See shock tuning on page 51

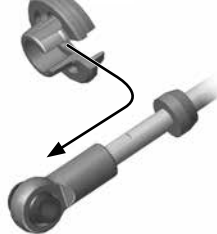


AX31297
Spring 14x90mm 2.25lbs/in - Green (Blue Spring) **x2**

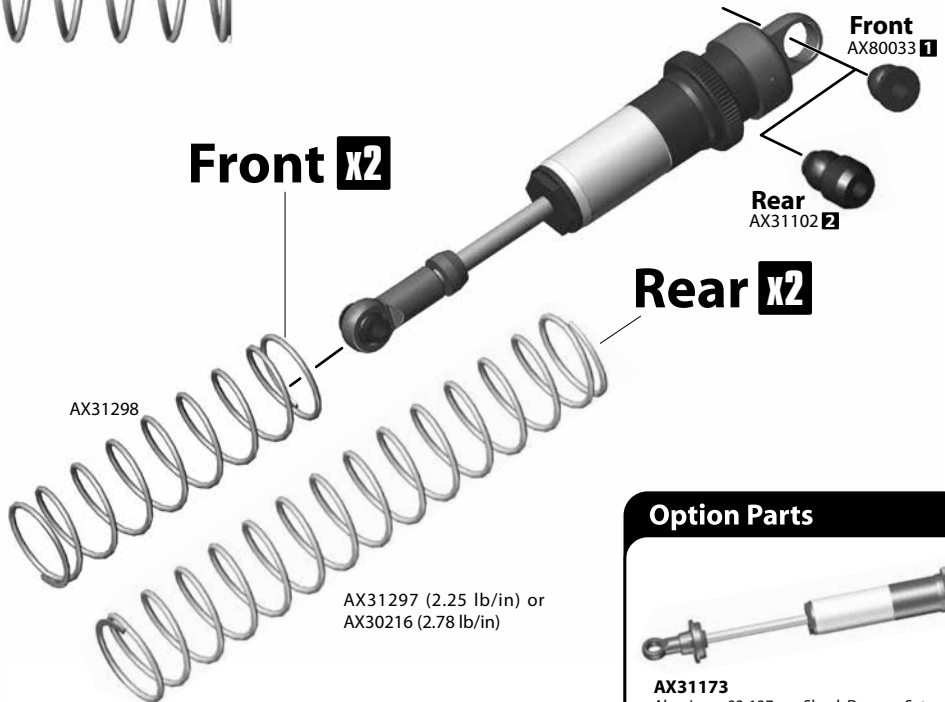


AX31298
Spring 14x54mm 4.22lbs/in - Yellow (Blue Spring) **x2**

AX31300 6



Front x2



Option Parts



AX31173
Aluminum 93-137mm Shock Damper Set - 10mm Piston (2pcs)



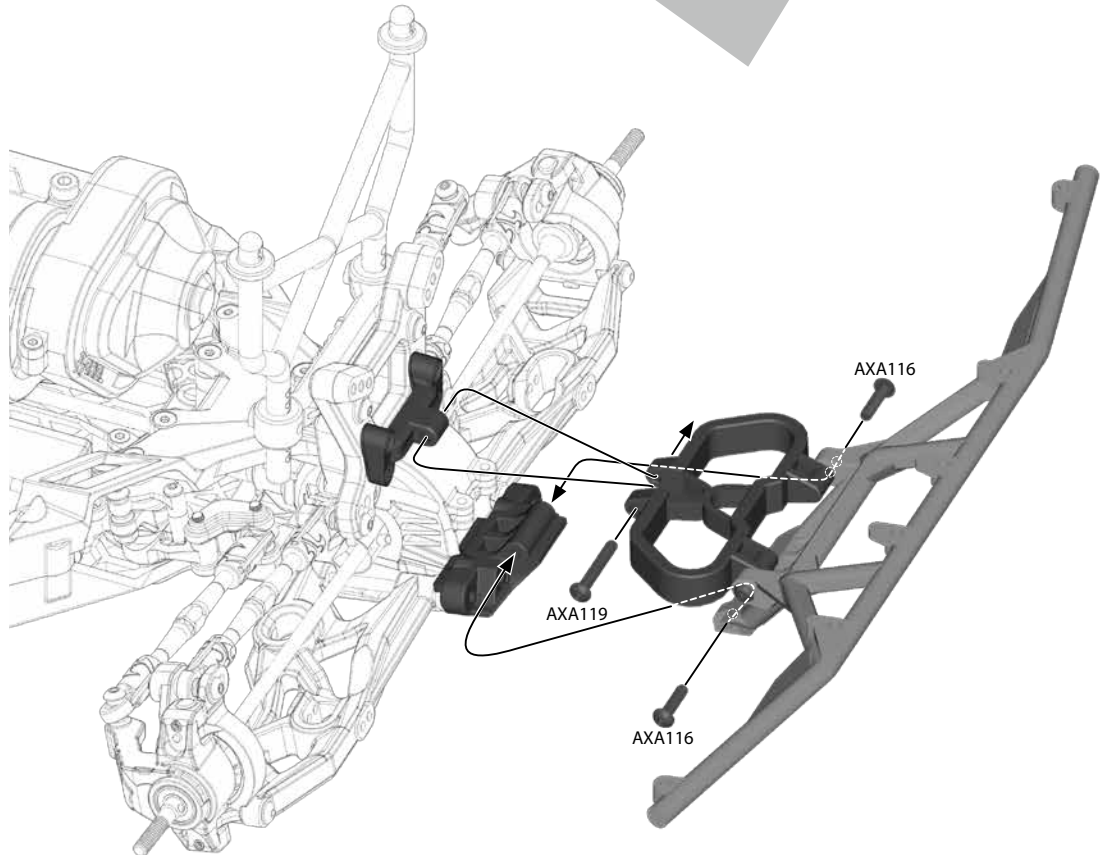
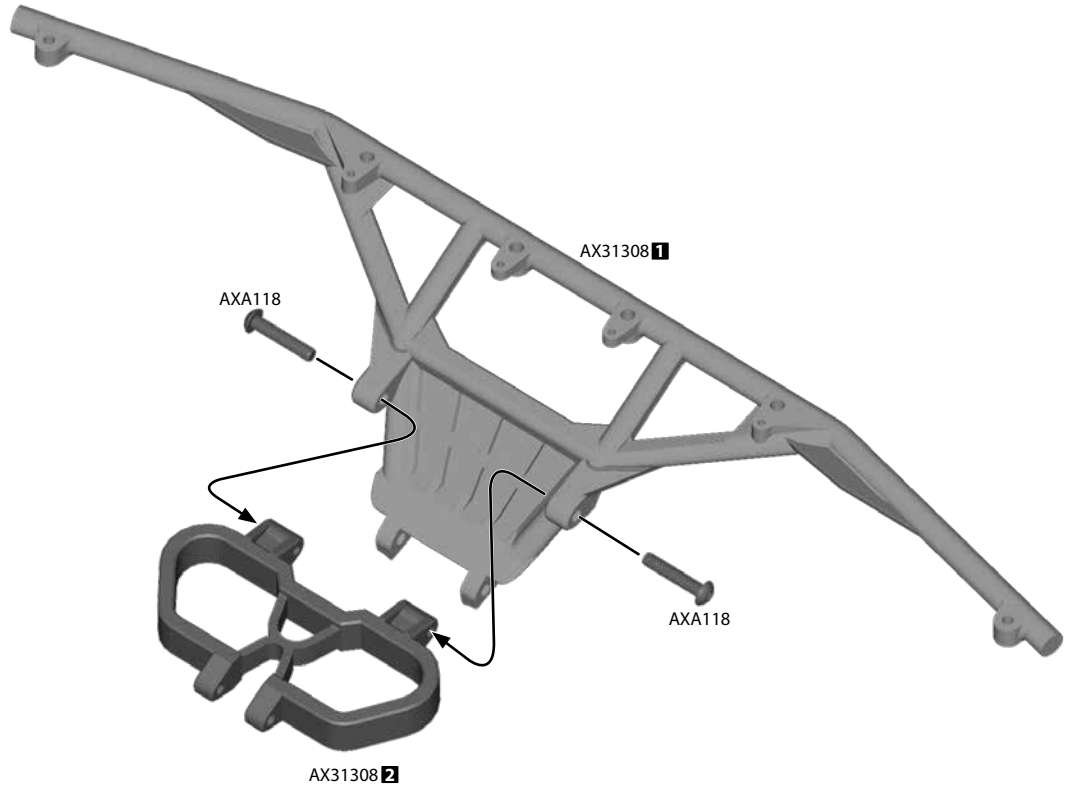
AXA116
M3x12mm **x2**



AXA118
M3x18mm **x2**



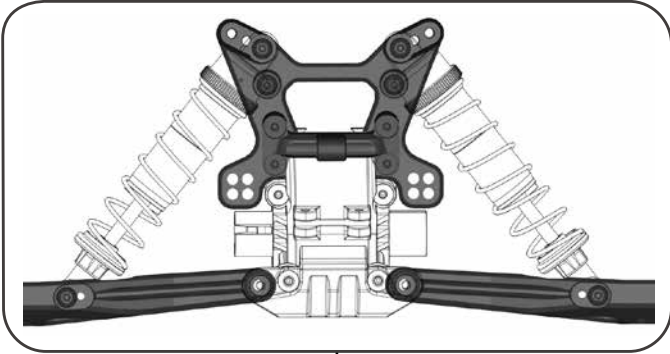
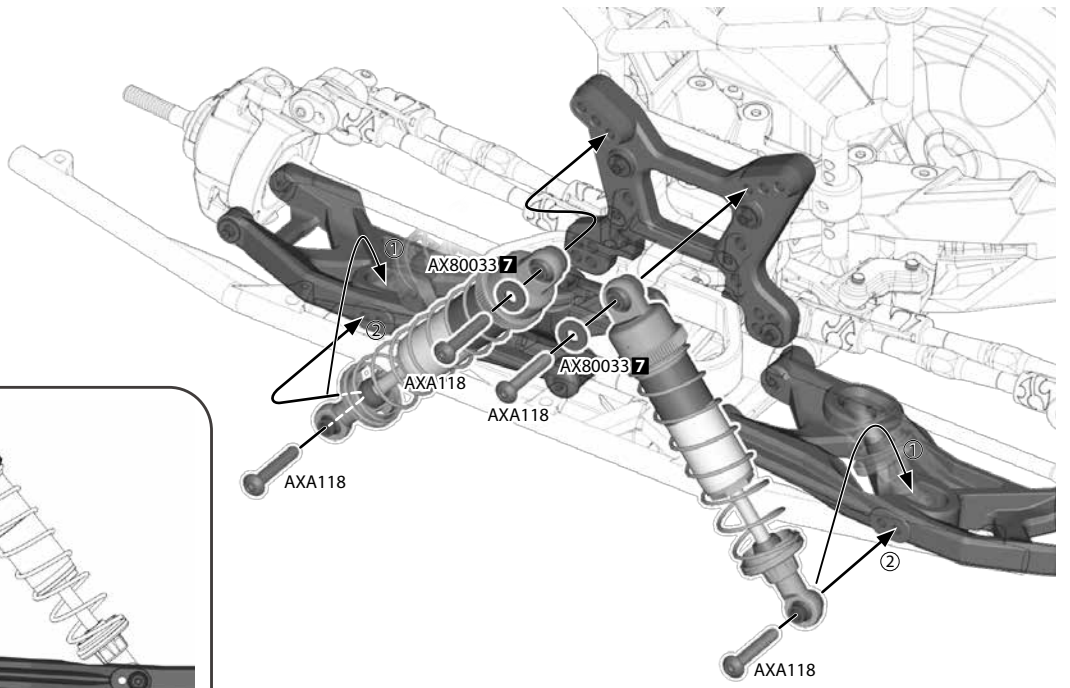
AXA119
M3x20mm **x1**



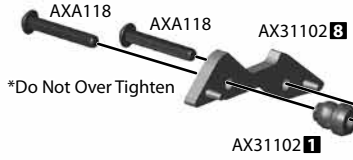


AXA118
M3x18mm **x4**

51



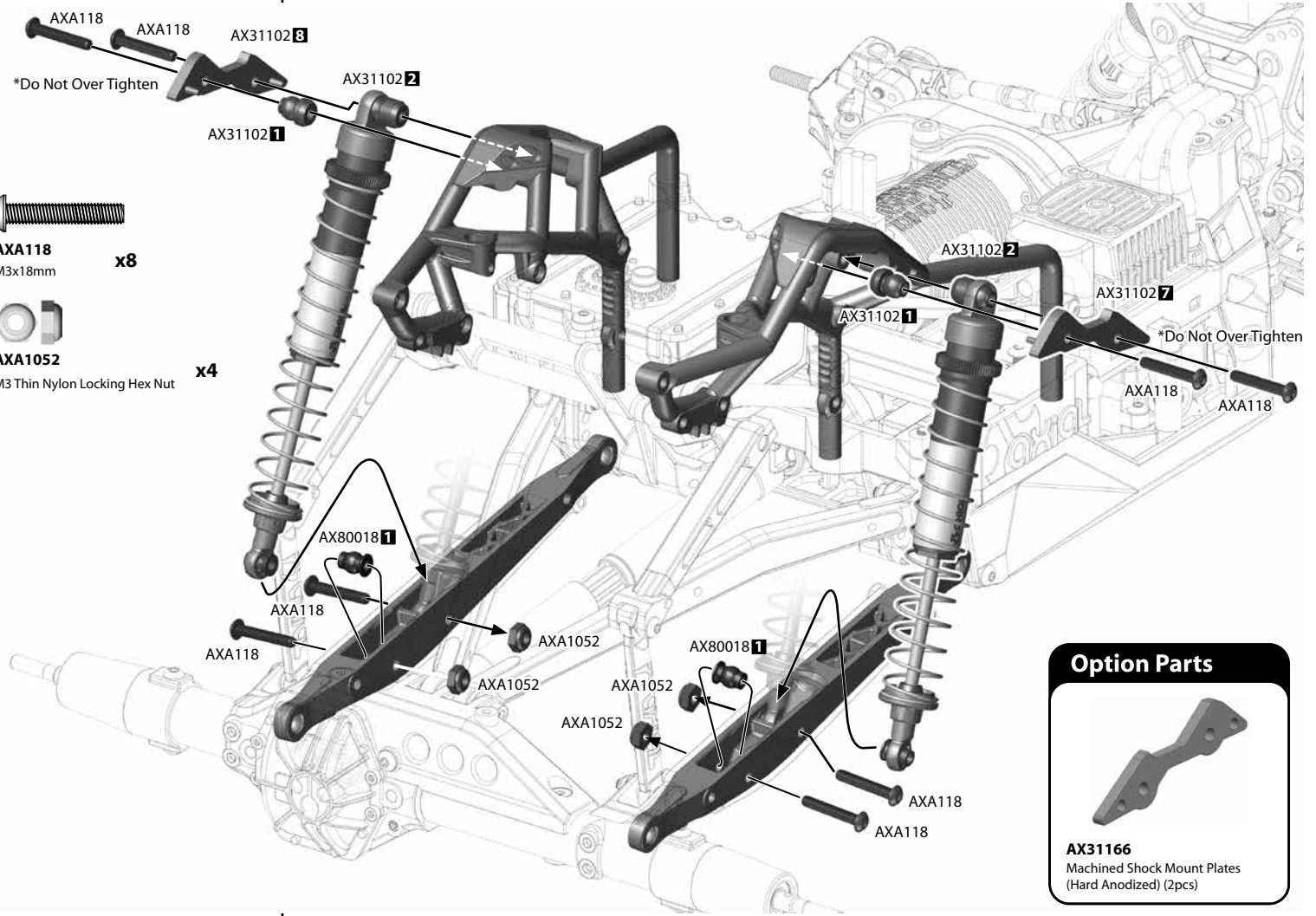
52



AXA118
M3x18mm **x8**



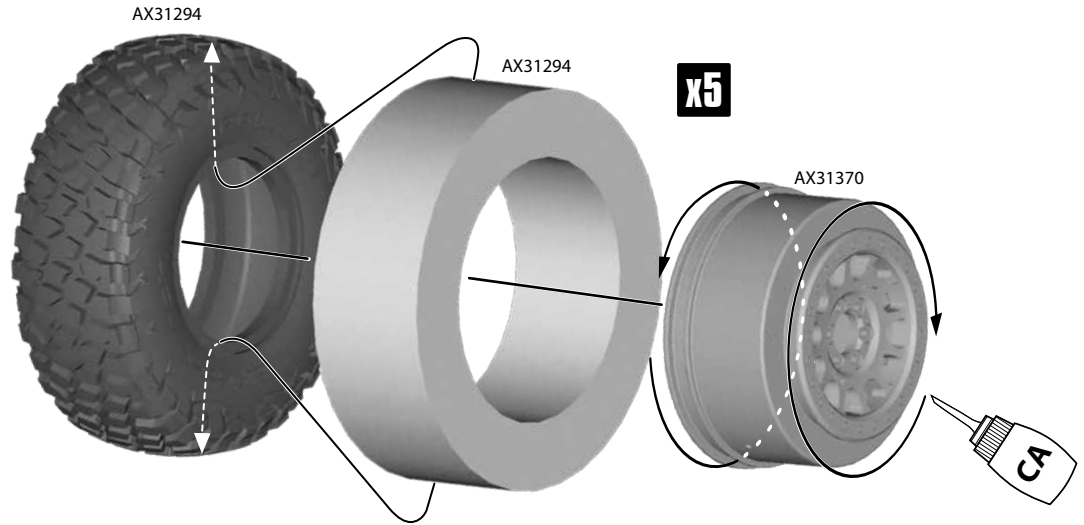
AXA1052
M3 Thin Nylon Locking Hex Nut **x4**



Option Parts



AX31166
Machined Shock Mount Plates
(Hard Anodized) (2pcs)

53

AXA0023
M2.6x8mm **x12**



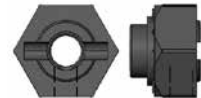
AXA180
M3x3mm **x2**



AX31028
Pin 2.0x11mm **x2**



AX31250
M4 Serrated Nylon Locking nut **x2**



AX30429
12mm Aluminum Hub (Black) **x2**



AXA0023
M2.6x8mm **x12**



AXA180
M3x3mm **x2**



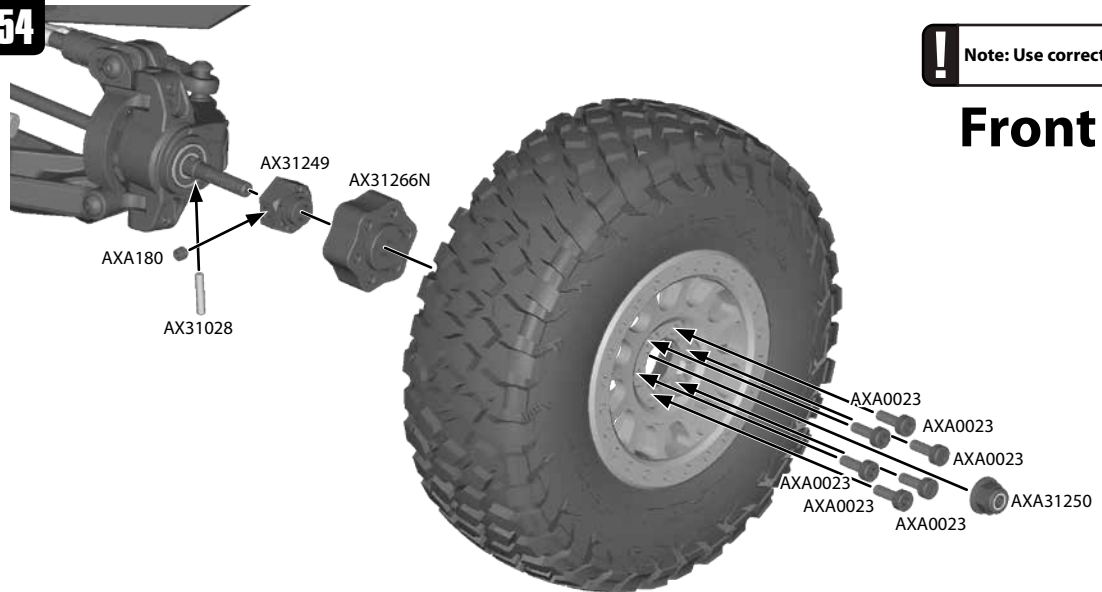
AX31028
Pin 2.0x11mm **x2**



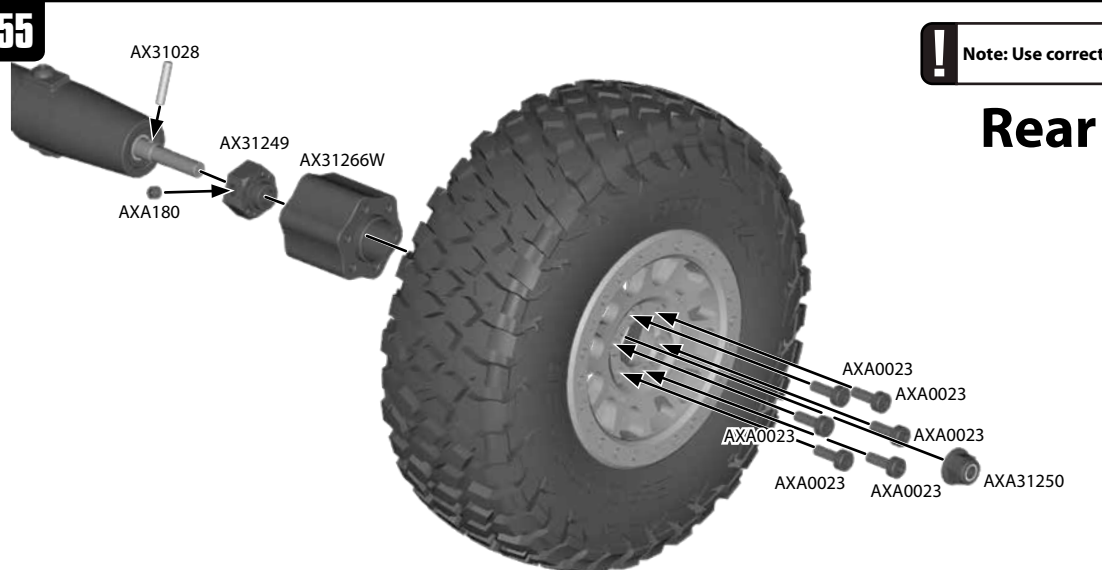
AX31250
M4 Serrated Nylon Locking nut **x2**



AX30429
12mm Aluminum Hub (Black) **x2**

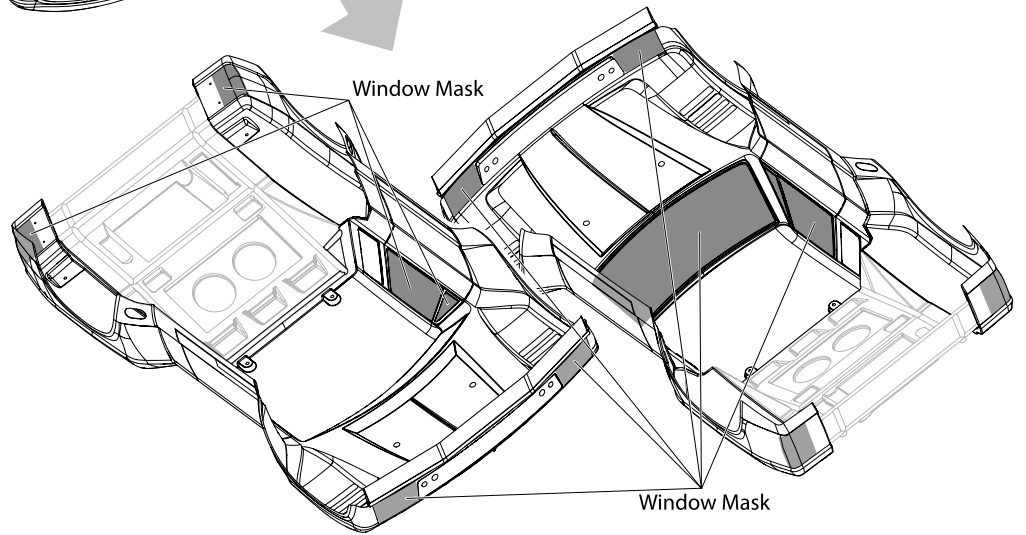
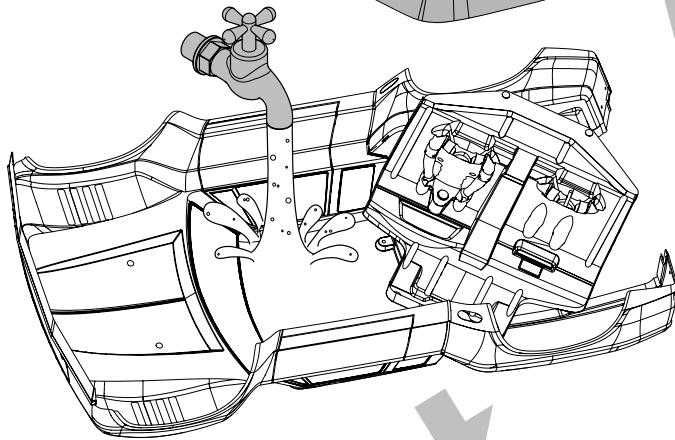
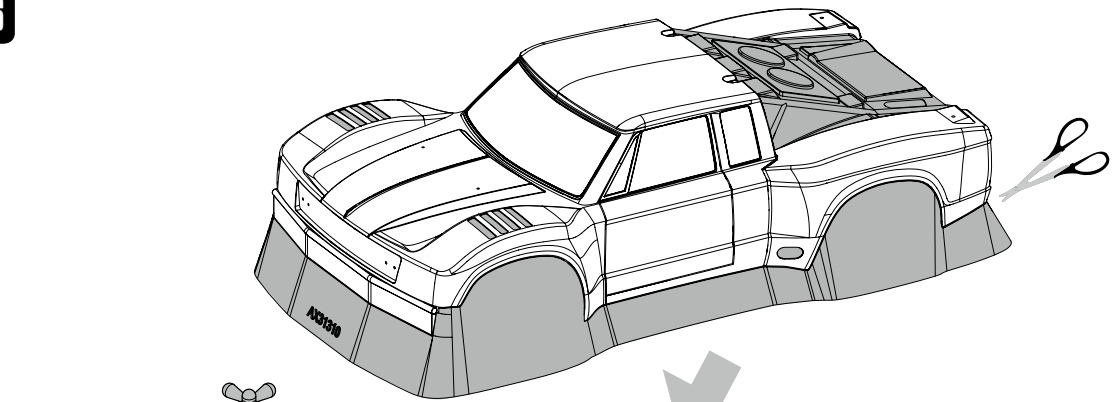
54

Note: Use correct parts.

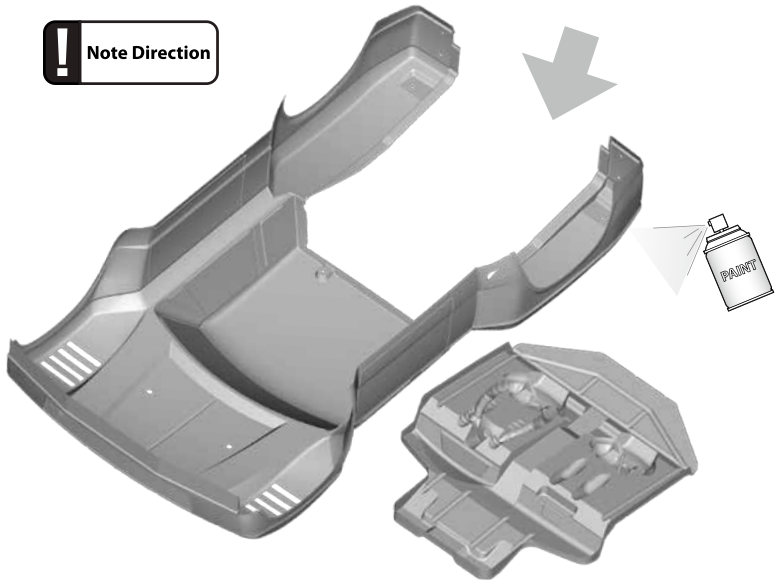
Front x2**55**

Note: Use correct parts.

Rear x2



Note Direction



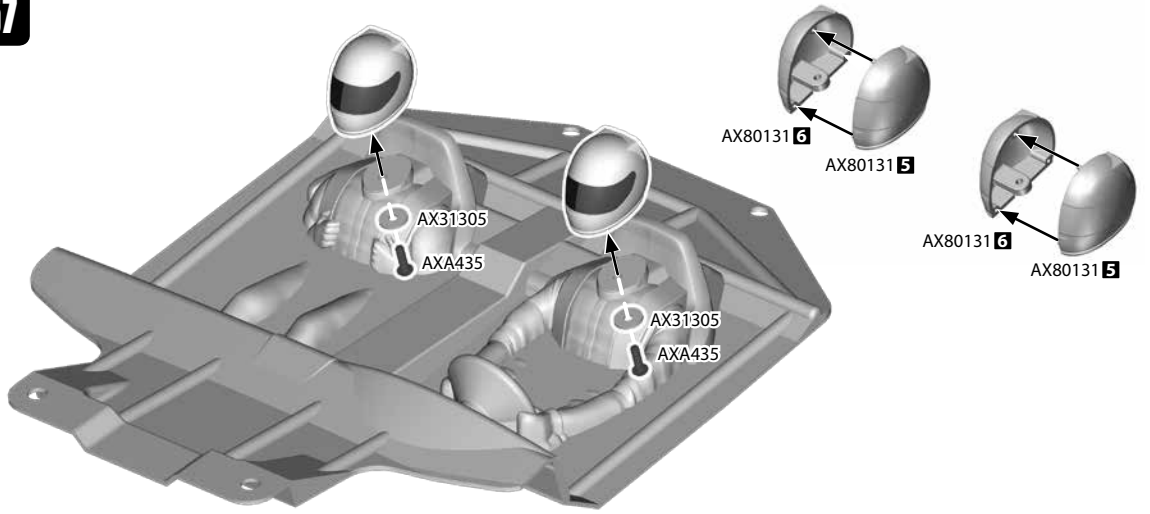
1 Open Bag 1

4 Open Plastic Bag 4

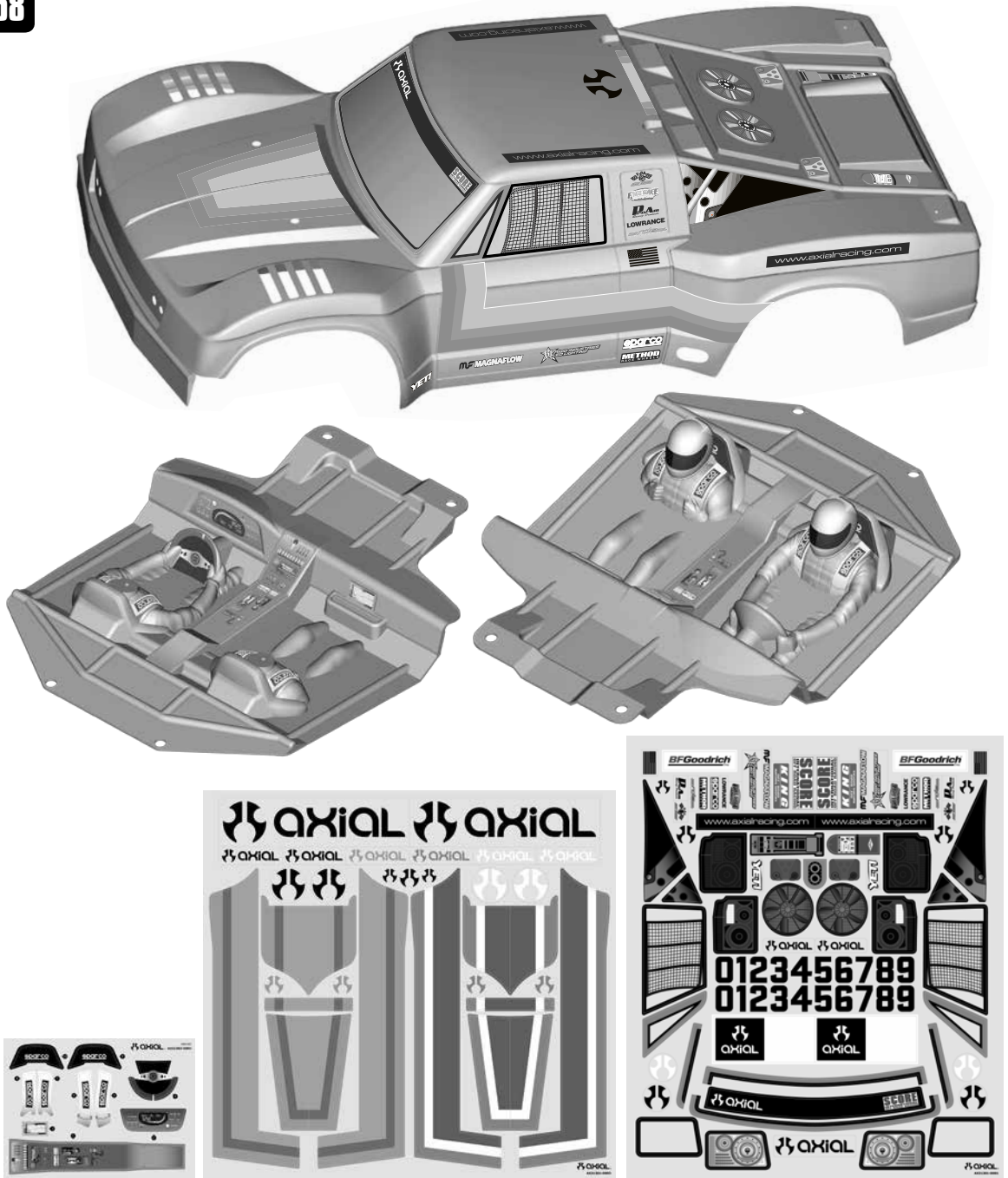


x2




57

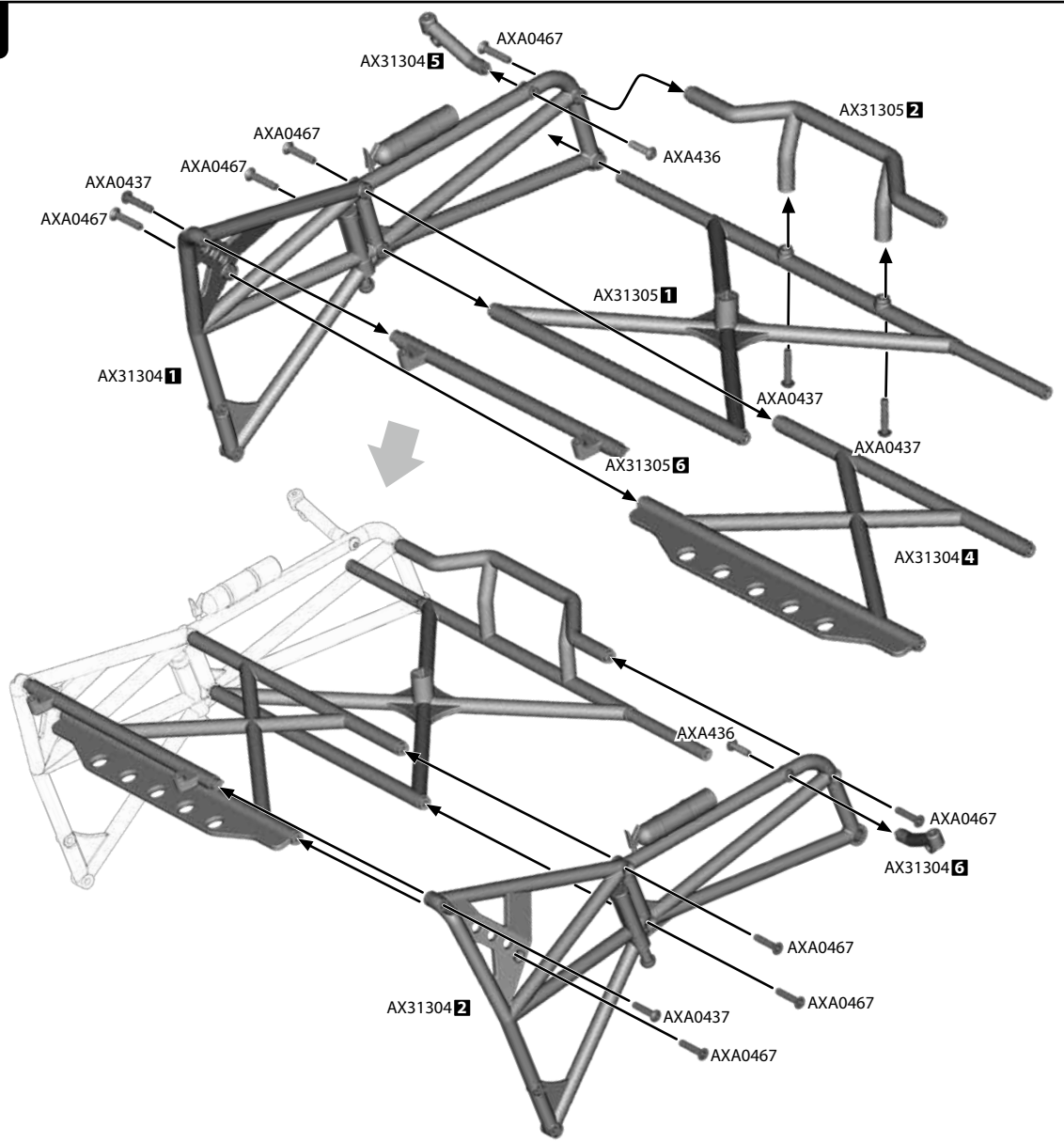


58


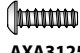
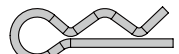


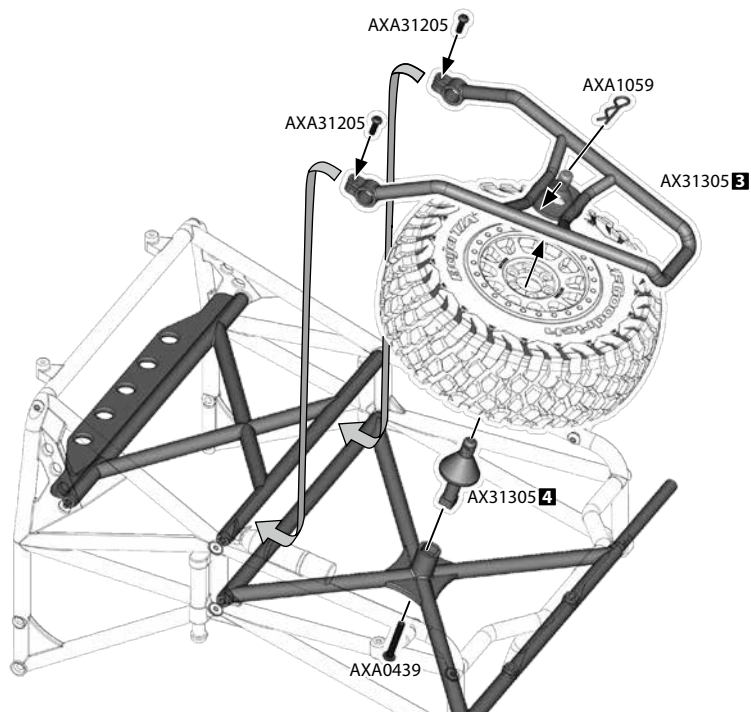
59

-  **AXA436**
M3x12mm **x2**
-  **AXA0437**
M3x15mm **x4**
-  **AXA0467**
M3x16mm **x8**



60

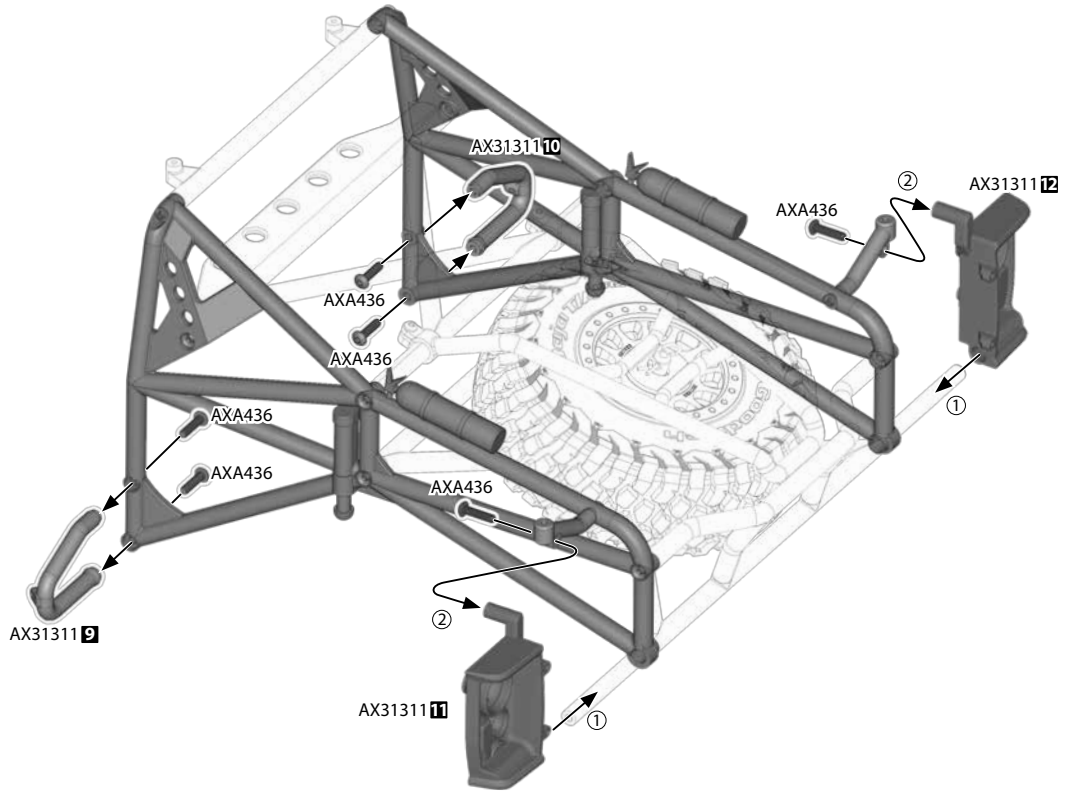
-  **AXA0439**
M3x20mm **x1**
-  **AXA31250**
M2.6x8mm **x2**
-  **AXA1059**
6mm Body Clip **x1**





AXA436
M3x12mm **x6**

61



AXA422
M2.6x6mm **x4**



AXA0414
M2.6x10mm **x2**

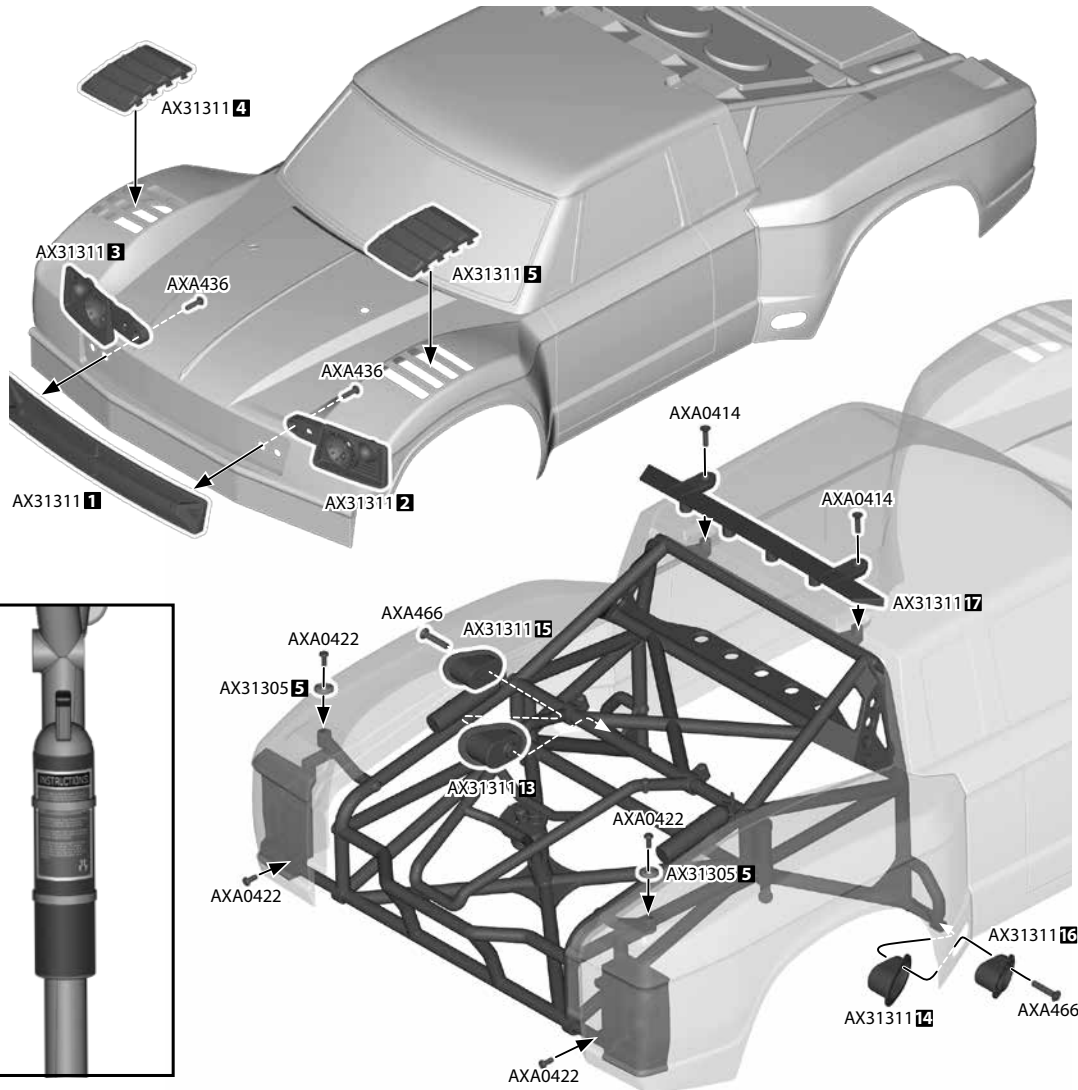


AXA436
M3x12mm **x2**

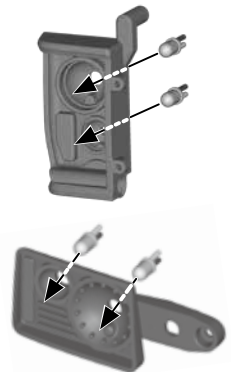


AXA466
M3x12mm **x2**

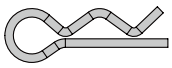
62



Option Parts

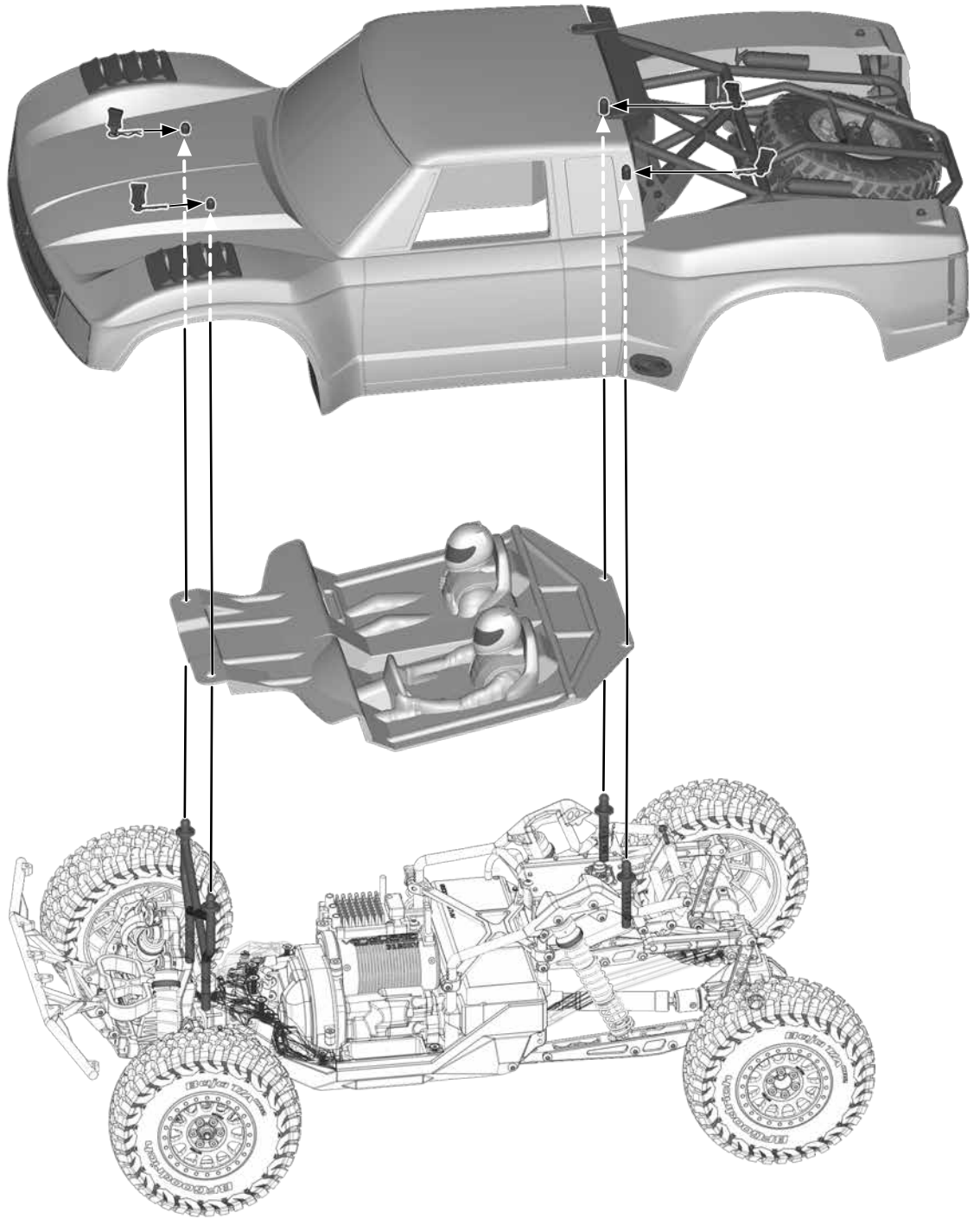


AX24252
Axial Double LED Light String



AXA1059
6mm Body Clip **x4**

63

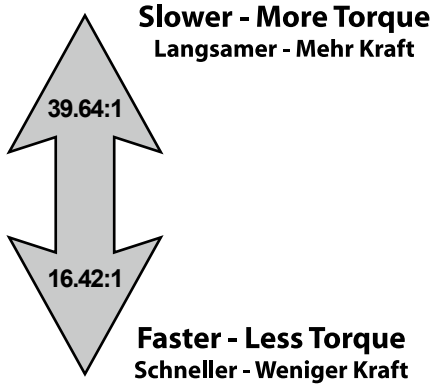


Gear Ratio / Getriebeübersetzung

Use this equation to calculate the final drive ratio.
Final Drive Gear Ratio = (Spur/Pinion)x5.67

Mit dieser Gleichung können Sie die Gesamtübersetzung berechnen.

Gesamtübersetzung = (Spur/Pinion)x5.67



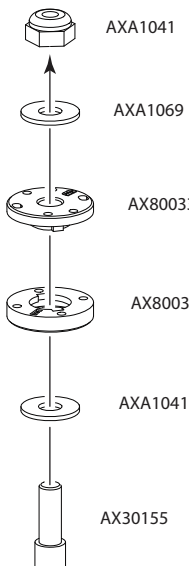
32 Pitch 38T/13T (Stock Gearing AX30392 or HD AX30395)				
	Spur Gear			
Pinion	56	60	64	68
11	28.85	30.91	32.97	35.03
12	26.44	28.33	30.22	32.11
13	24.41	26.15	27.90	29.64
14	22.67	24.88	25.90	27.52
15	21.15	22.67	24.18	25.69
16	19.83	21.25	22.67	24.08
17	18.67	20.00	21.33	22.67

32 Pitch 36T/14T (Overdrive HD Gearing AX30401)				
	Spur Gear			
Pinion	56	60	64	68
11	25.38	27.19	29.00	30.81
12	23.26	24.92	26.58	28.25
13	21.47	23.01	24.54	26.07
14	19.94	21.36	21.94	22.60
15	19.61	19.94	21.27	22.60
16	17.45	18.69	19.94	21.18
17	16.42	17.59	18.77	19.94

32 Pitch 43T/13T (Underdrive HD Gearing AX30402)				
	Spur Gear			
Pinion	56	60	64	68
11	32.64	34.97	37.31	39.64
12	29.92	32.06	34.20	36.33
13	27.62	29.59	31.57	33.54
14	25.65	27.48	29.31	31.14
15	23.94	25.65	27.36	29.07
16	22.44	24.04	25.65	27.25
17	21.12	22.63	24.14	25.65

Shock Tuning / Stossdämpferabstimmung

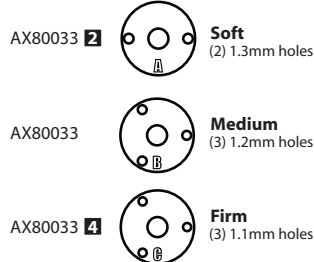
Installation



Pistons

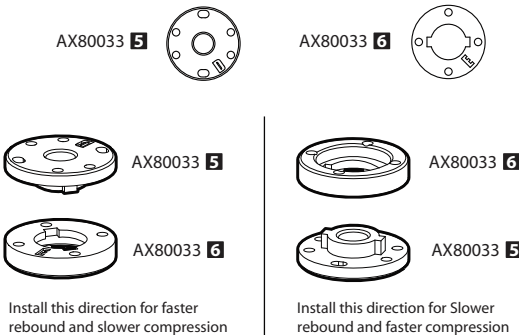
Standard Pistons

Provides the same dampening rate on both compression and extension



Variable Rate Pistons

Provides a different dampening rate depending on which direction you install.



Springs/Oil



Springs

Depending on the application you may want a firmer spring than what is included. Selecting a spring rate is based on each vehicles weight and handling and usually will require some trial and error.

For rock crawling applications it is recommended to use a stiffer spring on which ever corner is exhibiting torque twist.

Oil

Oils are another element you can use to tune the handling of your vehicle. You want an oil that allows the vehicle to handle the terrain well, but not too thin as to exhibit a springy bounce while driving.

We recommend starting with a good 30 wt. silicone oil. If you are looking for a faster rebound/compression rate use a lower weight oil. If you are looking for a slower rebound/compression rate use a higher weight oil.



Warranty Info

AXIAL LIMITED WARRANTY

Your Axial product is warranted to be free of defects in materials and workmanship when new in the factory sealed box. This warranty does not cover damages due to normal wear and tear, users' failure to perform routine maintenance, error of assembly or installation, modifications or addition of aftermarket parts or option parts. This warranty lasts as long as the original purchaser owns the product and is not transferable (verified by dated itemized sales receipt accompanied with product). In the event of a defect under this warranty, Axial will, at our discretion, repair or replace the product, provided our inspection indicates that an original defect exists. Axial provides a 10-day warranty from the date of purchase on electronics (i.e. servo, esc, radio). Axial reserves the right to replace any product which is no longer available with a product of comparable value and function. If Axial determines the repair is not covered under warranty guidelines, there could be a charge applied for the repair and return shipping charges. Note: Purchasing products from unauthorized distributors may void warranty and prevent support and service.

INTERNATIONAL CUSTOMER WARRANTY

Please return product to the dealer where the purchase was made. If your Axial product purchase was made through an on-line retailer, any warranty issues must be taken care of by that retailer. Axial assumes no responsibility for Axial products sold internationally by on-line retailers.

REPAIR

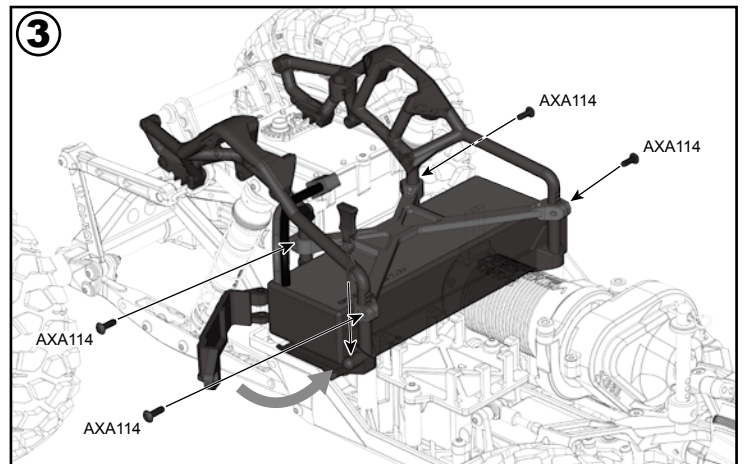
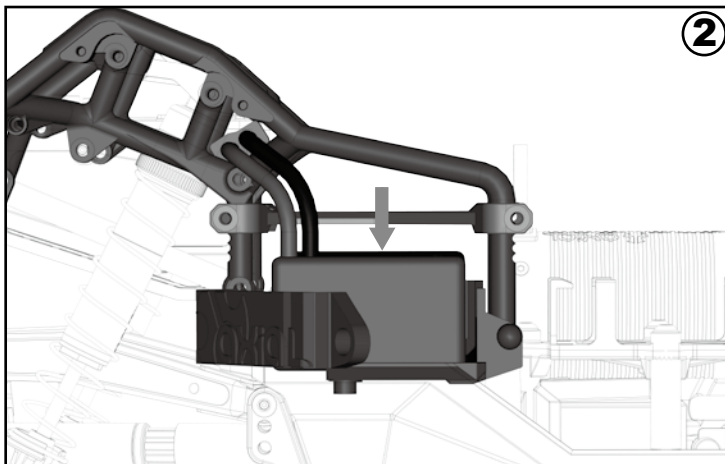
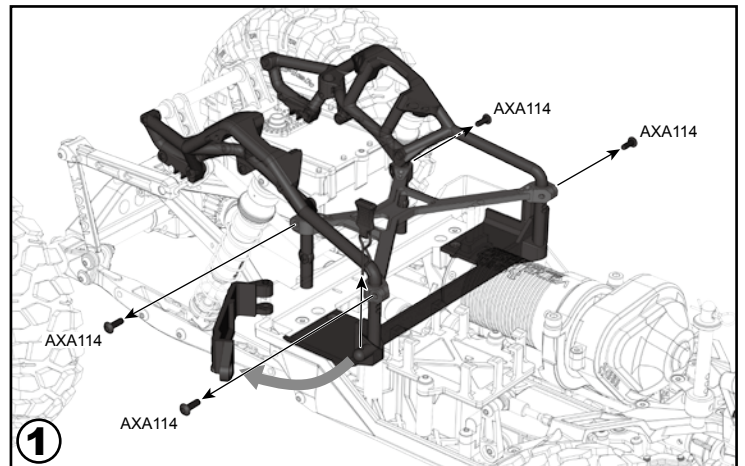
For warranty repair, please contact Axial Customer Service at (877) 64-AXIAL (877-642-9425).

HOURS AVAILABLE:

8:00 am - 5:00 pm Monday through Friday, Central Time.

Battery Tray Access and Setup

1. Remove clip to open battery access door
2. Slide battery in to check height
3. Remove X4 M3x8mm AXA114 Screw
4. Drop battery clamp down to required battery height.
Snug fit required
5. Reinstall X4 M3x8mm AXA114 Screws

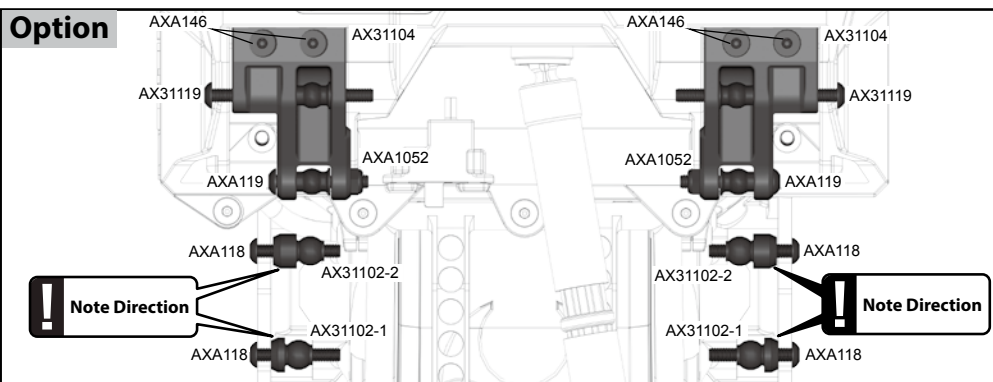
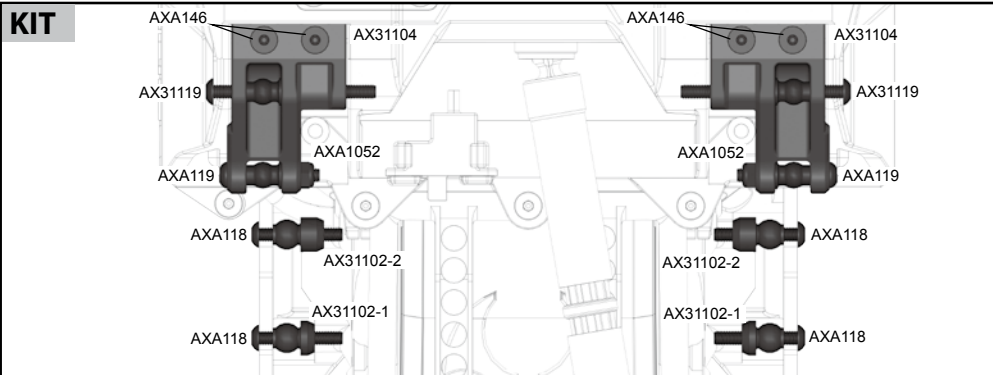


Rear Suspension Tuning Upper Link Adjustments

•AX31104 Mounts can be installed on either side of the AX31103 Chassis Tub

•Swapping the AX31104 mounts will provide a suspension more suited to low speed technical terrain. This also requires flipping the upper shock bushings. The Kit stock setup is more suited for high speed stability.

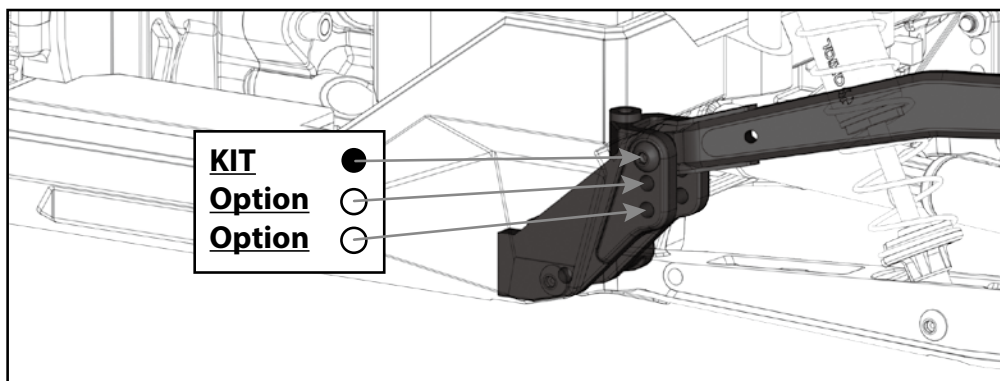
•Upper Shock bushings rotated to relocate shocks and line up with AX31109 Lower Links.



•Moving the upper links at the chassis will change the anti-squat characteristics of the Yeti under power.

•Kit Stock: Upper hole, more Anti-Squat for more rear traction under power.

•Optional lower holes, less Anti-Squat for less rear traction under power.

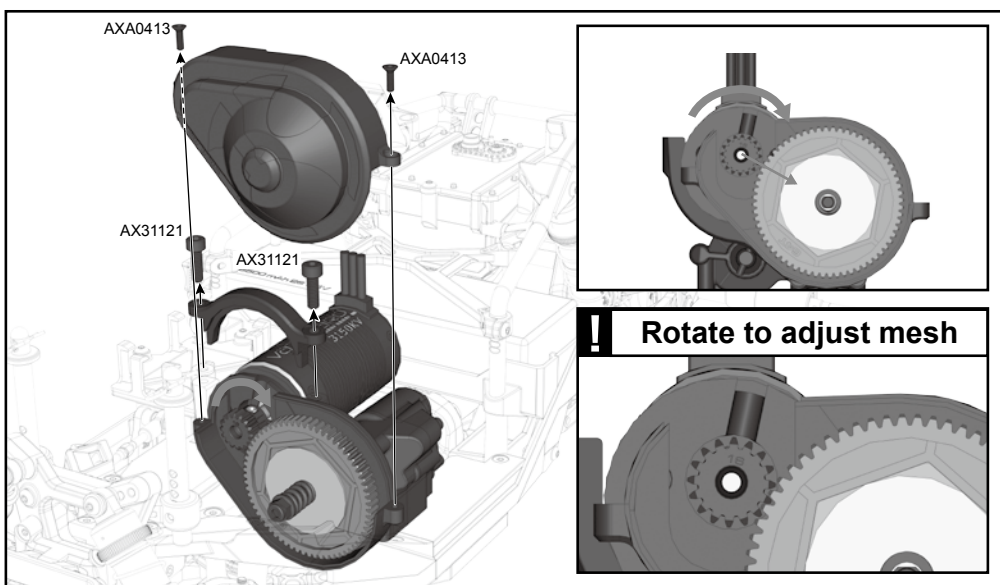


Gear Mesh Adjustment

•Remove X2 M2.6x8mm AXA0413 Flatheads from AX31107 Spur Cover to gain access to spur and pinion

•Loosen X2 M4x12mm AX31121 Capheads from AX31106 Motor Mount Clamp

•Rotate the motor and motor mount assembly to fine tune gear mesh



**Problem
Problem
Problème**

**Cause
Grund
Cause**

**Remedy
Lösung
Remède**

Does not move
Das Auto fährt nicht
Le véhicule ne bouge pas

Batteries are not installed properly in the transmitter.
Die Batterien sitzen nicht korrekt im Sender.
Les piles ne sont pas placées correctement dans l'émetteur.

Make sure batteries are properly installed.
Legen Sie die Batterien korrekt ein.
Positionnez correctement les piles dans l'émetteur.

Weak or no battery in model.
Leerer oder kein Akku im Auto.
Batterie faible ou non installée

Install charged battery.
Einbauen eines geladenen Akkus.
Mettez en place une batterie chargée

Damaged motor.
Kaputter Motor.
Moteur endommagé

Replace with new motor.
Austausch durch einen neuen Motor.
Remplacez par un nouveau moteur

Frayed or broken wiring.
Beschädigte Verkabelung.
Câble dénudé ou coupe

Splice and insulate wiring completely.
Erneuern und isolieren Sie die kaputte Stelle.
Faites une épissure et isolez complètement le câble.

ESC is shut down by heat protection circuit.
Notabschaltung des Reglers wegen Überhitzung.
Le système ESC est fermé par le circuit de protection thermique.

Stop driving immediately, do not drive the car until the Speed Controller cools down.
Fahren Sie nicht weiter. Warten Sie bis der Fahrten regler abgekühlt ist.
Arrêtez immédiatement de conduire, ne pilotez pas la voiture tant que le contrôleur de vitesse n'a pas refroidi.

No Control.
Keine Kontrolle über das Auto
Pas de contrôle

Improper antenna on transmitter or model.
Zu kurze Antenne am Sender oder Auto.
Antenne inadéquate sur l'émetteur ou le véhicule

Install charged or fresh batteries.
Einbauen voller Batterien.
Mettez des batteries rechargées ou neuves.

Weak or no batteries in transmitter or model.
Leere oder keine Batterien im Sender oder Auto.
Batterie faible ou absente dans l'émetteur ou le véhicule.

Fully extend antenna.
Ziehen Sie die Antenne vollständig aus.
Dépliez complètement l'antenne.

Neutral position or trim is incorrect.
Neutralposition oder Trimmung sind verstellt.
La position neutre est incorrecte ou le trim n'est pas réglé.

Adjust the steering trim.
Stellen Sie die Lenkungstrimmung neu ein.
Réglez le trim de direction.

Are the receiver and battery connections properly connected?
Sind der Empfänger und die Batterieverbindungen ordentlich verbunden?
Son conectadas apropiadamente las conexiones del receptor y la batería?

Check receiver and battery connections.
Prüfen Sie Empfänger und Batterieverbindungen.
Compruebe conexiones de batería y receptor.

Steering and Throttle Function Reversed.
Lenkung und Gas funktionieren genau verkehrt herum.
Direction et accélération inverses.

Servo reverse switch is in wrong position.
Servorichtungs-Schalter ist in der falschen Position.
L'interrupteur de marche arrière du servo est dans la mauvaise position

Set to correct position.
Satz, Position zu korrigieren
Vérifiez la position correcte

Please check that the wires from ESC to motor are connected properly.
Bitte überprüfen Sie, ob die Kabel vom Regler zum Motor richtig sitzen.
Veillez vérifier que les fils allant de l'ESC au moteur sont correctement raccordés.

Check to make sure motor and ESC are properly connected.
Kontrolle sich zu vergewissern, dass Motor und ESC ordentlich verbunden sind.
Le contrôle pour assurer que le moteur et ESC est convenablement connecté.

Parts List

Part #	Description	Part #	Description
AX30112	Shock Diaphragm 13x4.5mm (6pcs)	AX31308	TT-380 Front Bumper and Toe Block
AX30113	Rubber Bump Stop 3.6x7x4 (6pcs)	AX31310	TT-380 SCORE® Retro Trophy Truck® Body - .040" (Clear)
AX30147	Shock Shaft 3x53.5mm (2pcs)	AX31311	TT-380 SCORE® Retro Trophy Truck® Grille and Cage Components
AX30163	Pin 2.0x10mm (6pcs.)	AX31370	2.2 3.0 Method 105 Wheels – 41mm (Orange) (2pcs)
AX30170	Shaft 3 x 22 (2pcs)	AX80002	Diff Case -Small
AX30381	EXO Heavy Duty Differential Output Shaft (2pcs)	AX80006	Servo Set
AX30382	EXO Steering King Pin (TiN Coated) (2pcs)	AX80018	Hardware Parts Tree
AX30383	EXO Heavy Duty Differential Input Shaft (2pcs)	AX80033	10mm Shock Parts Tree 1
AX30384	EXO Steering Post Steel (Black) (2pcs)	AX80069	AR60 OCP Axle Housing
AX30385	Diff Gasket 16x25x0.5mm (2pcs)	AX80070	AR60 OCP Differential Cover
AX30390	Differential Gear Set	AX80071	AR60 OCP Straight Axle Adapter
AX30395	Heavy Duty Bevel Gear Set - 38T/13T	AX80072	AR60 OCP 4-Link Mount
AX30413	Slipper spring 8.5x12 165 lbs/in - Black (2pcs)	AX80091	EXO Bulkhead
AX30429	12mm Aluminum Hub (Black) (4pcs)	AX80106	EXO Steering Knuckle Carrier Set
AX30438	Machined Shock Piston 10mm - 1.2x2 (4pcs)	AX80111	EXO Lower Front Control Arms Set
AX30500	Heavy Duty Locker (2pcs)	AX80131	Helmet Set
AX30776	AR60 OCP Rear Axle Set (2pcs)	AXA0023	M2.6x8mm Cap Head (Black) (10pcs)
AX30843	Pinion Gear 32P 17T (5mm shaft)	AXA0109	M3x10mm Oversized Flat Hex Socket (Black) (10pcs)
AX31027	Spur Gear 32P 56T	AXA0113	M3x6mm Hex Socket Button Head (Black) (10pcs)
AX31028	Pin 2.0x11mm (6pcs)	AXA0125	M3x35mm Hex Socket Button Head Screw Shaft (Black) (6pcs)
AX31054	Shock Shaft 3x71mm (2pcs)	AXA0128	M3x61mm Hex Socket Button Head Screw Shaft (Black) (6pcs)
AX31058	Yeti™ Rear Sway Bar (3pcs) (Soft, Medium, Firm)	AXA0147	M3x16mm Hex Socket Flat Head (Black) (10pcs)
AX31059	Slipper Plate Washer 33x1mm (2pcs)	AXA015	M2x10mm Cap Head (Black) (10pcs)
AX31060	Servo Saver Spring 13x9.25mm 104 lbs/in (2pcs)	AXA0181	M3x4mm Set Screw (Black) (10pcs)
AX31061	M2.6x18mm Hex Socket Tapping Button Head (Black) (10pcs)	AXA0286	Screw Shaft M4x2.5x12mm (6pcs)
AX31065	Spur Gear 32P 64T	AXA0413	M2.6x8mm Hex Socket Tapping Flat Head (Black) (10pcs)
AX31067	Slipper Plate (2pcs)	AXA0414	M2.6x10mm Hex Socket Tapping Flat Head (Black) (10pcs)
AX31068	Slipper Pad 32.8x15.2x1mm (2pcs)	AXA0422	M2.6x6mm Hex Socket Tapping Button Head (Black) (10pcs)
AX31083	Radio Box Seals	AXA0423	M2.6x8mm Hex Socket Tapping Button Head (Black) (10pcs)
AX31102	Yeti™ Rear Cage Components	AXA0437	M3x15mm Hex Socket Tapping Button Head (Black) (10pcs)
AX31103	Yeti™ Molded Chassis Tub	AXA0439	M3x20mm Hex Socket Tapping Button Head (Black) (10pcs)
AX31104	Yeti™ Chassis Components	AXA0467	M3x16mm Hex Socket Tapping Flat Head (Black) (10pcs)
AX31105	Yeti™ Chassis Electronic Components	AXA087	M3x16mm Cap Head (Black) (10pcs)
AX31106	2-Speed Hi/Lo Transmission Motor Mount	AXA091	M3x30mm Cap Head - Black (10pcs)
AX31107	2-Speed Hi/Lo Transmission Spur Gear Cover	AXA1041	M2.5 Nylon Locking Hex Nut (10pcs)
AX31108	2-Speed Hi/Lo Transmission Case	AXA1045	M4 Nylon Lock Nut (Black) (10pcs)
AX31109	Yeti™ Rear 4 Link Set	AXA1052	M3 Thin Nylon Locking Hex Nut (Black)
AX31110	Yeti™ Steering Knuckle Set	AXA1053	M3 Nylon Locking Hex Nut (Black) (10pcs)
AX31111	Yeti™ Shock Tower and Body Post Set	AXA1059	6mm Body clip (Black) (10pcs)
AX31113	Yeti™ Rear Sway Bar Mount Set	AXA1069	Washer 2.7x6.7x0.5 (10pcs)
AX31114	WB8-HD Driveshaft	AXA1071	Washer 4x8x0.5mm (10pcs)
AX31119	M3x35mm Hex Socket Button Head (Black) (10pcs)	AXA114	M3x8mm Hex Socket Button Head (Black) (10pcs)
AX31121	M4x12mm Cap Head (Black) (10pcs)	AXA115	M3x10mm Hex Socket Button Head (Black) (10pcs)
AX31122	Double Shear Steering Rack	AXA116	M3x12mm Hex Socket Button Head - Black (10pcs)
AX31125	Yeti™ Fuel Cell	AXA1162	O-Ring 5x1mm (10pcs)
AX31127	2-Speed Hi/Lo Transmission Top Shaft (5x91mm)	AXA117	M3x15mm Hex Socket Button Head (Black) (10pcs)
AX31129	2-Speed Hi/Lo Transmission Bottom Shaft (5x75mm)	AXA118	M3x18mm Hex Socket Button Head - Black (10pcs)
AX31130	High Speed Transmission Gear Set (48P 26T, 48P 28T)	AXA1184	O-Ring 7.5x1.5mm (S8) - (10pcs)
AX31131	T-Case Gear Set (32P 15T, 32P 15T, 32P 27T)	AXA119	M3x20mm Hex Socket Button Head (Black) (10pcs)
AX31134	2-Speed Hi/Lo Transmission Output Shaft (5x35mm)	AXA1202	O-Ring 3.5x2mm (10pcs)
AX31135	Universal Axle Set 92mm (2pcs)	AXA121	M3x30mm Hex Socket Button Head (Black) (10pcs)
AX31139	Center Driveline Universal Shaft (103mm)	AXA1213	Bearing 5x8x2.5mm (2pcs)
AX31148	WB8-HD Driveshaft Coupler Set	AXA1221	Bearing 5x11x4mm (2pcs)
AX31185	M3x10mm Hex Socket Flat Head (Black) (10pcs)	AXA1230	Bearing 10x15x4mm
AX31186	M4 Rod End Set	AXA1391	E4 e-clip (10pcs)
AX31245	Lower Link Plate Set (Aluminum) (4pcs)	AXA1393	E2.5 e-clip (10pcs)
AX31250	M4 Serrated Nylon Lock Nut (Black) (10pcs)	AXA144	M3x8mm Hex Socket Flat Head (Black) (10pcs)
AX31266	IFD™ Hex Hub Adapter (2pcs Narrow, 2pcs Wide)	AXA146	M3x12mm Hex Socket Flat Head - Black (10pcs)
AX31272	M4x55mm Turnbuckle (Steel) (2pcs)	AXA148	M3x18mm Hex Socket Flat Head (Black) (10pcs)
AX31273	M4x60mm Steel Turnbuckle	AXA150	M3x25mm Hex Socket Flat Head (Black) (10pcs)
AX31294	2.2 3.0 BFGoodrich Baja T/A KR2 Tires 42mm - R35 Compound (2pcs)	AXA1635	M3x35mm Turnbuckle (2pcs)
AX31295	Aluminum Shock Body 12x41.5mm (Clear Anodized) (2pcs)	AXA180	M3x3mm Set Screw (Black) (10pcs)
AX31296	Aluminum Shock Body 12x59mm (Clear Anodized) (2pcs)	AXA291	M4x4mm Set Screw (Black) (6pcs.)
AX31297	Spring 14x90mm 2.25 lbs/in - Green (2pcs) (Blue Springs)	AXA435	M3x10mm Hex Socket Tapping Button Head (Black) (10pcs)
AX31298	Spring 14x54mm 4.33lbs/in - Yellow (2pcs) (Blue Springs)	AXA436	M3x12mm Hex Socket Tapping Button Head (Black) (10pcs)
AX31300	10mm Shock Parts Tree 2 (Blue)	AXA466	M3x12mm Hex Socket Tapping Flat Head (Black) (10pcs)
AX31301	10mm Shock Caps Parts Tree (Blue)		
AX31303	TT-380 Interior Set - .040" (Clear)		
AX31304	TT-380 Rear Cage Sides and Rear Upper Cage		
AX31305	TT-380 Rear Lower Cage and Tire Retainer		
AX31307	TT-380 Body Post Set		

Option Parts

Part #	Description	Part #	Description
AX08101	2.2 3.0 Raceline Renegade Wheels - 41mm (Black) (2pcs)	AX31169	Machined Body Post Mount (Hard Anodized)
AX08103	2.2 3.0 Raceline Renegade Wheels - 41mm (Chrome/Black) (2pcs)	AX31170	Machined Front Shock Tower (Hard Anodized)
AX08104	2.2 3.0 Raceline Renegade Wheels - 34mm (Black) (2pcs)	AX31171	Icon 72-103mm Aluminum Shock Set - 10mm Piston (2pcs)
AX08106	2.2 3.0 Raceline Renegade Wheels - 34mm (Chrome/Black) (2pcs)	AX31172	Icon 67-90mm Aluminum Shock Set - 10mm Piston (2pcs)
AX12017	2.2 3.0 Hankook Dynapro Mud Terrain Tires 34mm - R35 Compound (2pcs)	AX31173	Icon 93-137mm Aluminum Shock Damper Set - 10mm Piston (2pcs)
AX12018	2.2 3.0 Hankook Dynapro Mud Terrain Tires 41mm - R35 Compound (2pcs)	AX31174	Y-380 1/10th Scale Body - .040" (Pre-Painted) (White, Blue, Pink)
AX24010	Brushless 2900KV Electric Motor	AX31182	Front Differential Locker
AX24251	Axial NVS - Night Visions System	AX31188	Icon Aluminum Shock Body 12x47.5mm (2pcs)
AX24252	Axial Double LED Light String (White LED)	AX31190	Icon Aluminum Shock Body 12x65mm (2pcs)
AX24253	Axial Double LED Light String (Red LED)	AX31193	Shock Shaft 3x77mm (2pcs)
AX24254	Axial Double LED Light String (Orange LED)	AX31244	Upper Link Plate Set (Aluminum) (4pcs)
AX24255	Axial Single LED Light String (White LED)	AX31249	Yeti™ Turnbuckle Set (Aluminum) (4pcs)
AX24256	Axial 5 LED Light String (White LED)	AX31302	TT-380 SCORE® Trophy Truck® Body - .040" (Clear)
AX24257	Simple LED Controller w/LED lights (4 white and 2 Red)	AX31306	TT-380 SCORE® Trophy Truck® Grille and Cage Components
AX24258	4 LED Light String (White LED)	AX31309	2.2 3.0 Method 105 Wheels - 41mm (Black) (2pcs)
AX30091	67-90mm Shock Set - 10mm Piston (2pcs)	AX31369	2.2 3.0 Method 105 Wheels - 41mm (Green) (2pcs)
AX30092	Axial 72-103mm Shock Set - 10mm Piston (2pcs)	AX31371	2.2 3.0 Method 105 Wheels - 41mm (White) (2pcs)
AX30110	Axial Aluminum 13mm Aluminum Preload Collar (2pcs)	AX80034	10mm Shock Parts Tree 2
AX30111	Axial Aluminum Shock Cap (2pcs)	AX80035	10mm Shock Caps Parts Tree
AX30120	Axial Aluminum Shock Body 12x47.5mm (2pcs)	AX80085	Universal Mount 5 Bucket Light Bar (Black)
AX30155	Shock Shaft 3x59.5 (2pcs)	AX80086	Light Bar Lenses (Clear) (5pcs)
AX30213	Spring 14x90mm 1.32 lbs/in - (Red)	AXA1076	Cap Head Washer M3x10mm (4pcs)
AX30214	Spring 14x90mm 1.71 lbs/in - (White)	AXA1101	Cone Washer 3x6.9x2mm (6pcs)
AX30215	Spring 14x90mm 2.25 lbs/in - Medium (Green)	AXA1104	Cone Washer 3x6.9x2mm - Orange (6pcs)
AX30216	Spring 14x90mm 2.78 lbs/in - Firm (Yellow)	AXA1105	Cone Washer 3x6.9x2mm - Grey (6pcs)
AX30217	Spring 14x90mm 3.01 lbs/in - Super Firm (Blue)	AXA1331	Flanged Ball 3x5.8x7mm (6pcs)
AX30226	Spring 14x54mm 2.64 lbs/in - Super Soft (Red) - (2pcs)	AXA1412	0.5x6mm Spacer - Grey (6pcs)
AX30227	Spring 14x54mm 3.4 lbs/in - Soft (White) - (2pcs)	AXA1413	1x6mm Spacer - Grey (6pcs)
AX30228	Spring 14x54mm 3.85 lbs/in - Medium (Green) - (2pcs)	AXA1414	2x6mm Spacer - Grey (6pcs)
AX30229	Spring 14x54mm 4.33 lbs/in - Firm (Yellow) - (2pcs)	AXA1415	3x6mm Spacer - Grey (6pcs)
AX30230	Spring 14x54mm 4.95 lbs/in - Super Firm (Blue) - (2pcs)	AXA1416	4x6mm Spacer - Grey (6pcs)
AX30401	Heavy Duty Bevel Gear Set - 36T/14T	AXA1417	5x6mm Spacer - Grey (6pcs)
AX30402	Heavy Duty Bevel Gear Set - 43T/13T	AXA1418	6x6mm Spacer - Grey (6pcs)
AX30709	Universal 5 Bucket Light Bar Set	AXA1419	7x10mm Post - Grey (2pcs)
AX30741	Spur Gear 32P 48T	AXA1420	7x15mm Post - Grey (2pcs)
AX30742	Spur Gear 32P 50T	AXA1421	7x20mm Post - Grey (2pcs)
AX30743	Spur Gear 32P 52T	AXA1422	7x25mm Post - Grey (2pcs)
AX30744	Spur Gear 32P 54T	AXA1423	7x30mm Post - Grey (2pcs)
AX30789	AR60 OCP Aluminum Straight Axle Hub Carrier (2pcs)	AXA1424	7x35mm Post - Grey (2pcs)
AX30811	EXO™ Machined Aluminum Front Toe Block F1 (Hard Anodized)	AXA1425	7x40mm Post - Grey (2pcs)
AX30829	AR60 OCP Machined Low-Profile Differential Cover	AXA1426	7x45mm Post - Grey (2pcs)
AX30830	Axial AR60 OCP Machined Link Mounts	AXA1427	7x50mm Post - Grey (2pcs)
AX30831	AR60 OCP™ Front Axle Set (Complete)	AXA1428	7x55mm Post - Grey (2pcs)
AX30834	Aluminum Servo Horn 23T	AXA1429	7x60mm Post - Grey (2pcs)
AX30835	Aluminum Servo Horn 24T	AXA1430	7x65mm Post - Grey (2pcs)
AX30836	Aluminum Servo Horn 25T	AXA1431	7x70mm Post - Grey (2pcs)
AX30837	Pinion Gear 32P 11T (5mm shaft)		
AX30838	Pinion Gear 32P 12T (5mm shaft)		
AX30839	Pinion Gear 32P 13T (5mm shaft)		
AX30840	Pinion Gear 32P 14T (5mm shaft)		
AX30841	Pinion Gear 32P 15T (5mm shaft)		
AX30842	Pinion Gear 32P 16T (5mm shaft)		
AX31049	Helmet Set (Black)		
AX31074	IFD™ Hex Hub Conversion Set (12mm) (4pcs)		
AX31097	3 Port High Output LED Controller		
AX31098	8 LED Light String (White LED)		
AX31136	Icon 87-125mm Aluminum Shock Set - 10mm Piston (2pcs)		
AX31152	Universal Rigid Light Bar Set		
AX31153	Spring 14x90mm 0.90 lbs/in - Black (2pcs)		
AX31154	Spring 14x90mm 1.01 lbs/in - Purple (2pcs)		
AX31156	Machined Adjustable Motor Mount (Hard Anodized)		
AX31160	Steel Spur Gear 32P 68T		
AX31161	Steel Spur Gear 32P 64T		
AX31162	Steel Spur Gear 32P 60T		
AX31163	Steel Spur Gear 32P 56T		
AX31164	Machined Slipper Plate (Hard Anodized) (2pcs)		
AX31165	Machined 4 Link Mounts (Hard Anodized) (2pcs)		
AX31166	Machined Shock Mount Plates (Hard Anodized) (2pcs)		
AX31167	Machined Sway Bar Clamp (Hard Anodized) (2pcs)		

OFFICIALLY LICENSED TECHNICAL PARTNERS:



EXPLORE

facebook.com/axialinc | instagram.com/axialracing | twitter.com/axialrc
youtube.com/axialvideos | flickr.com/axialrc



BFGoodrich® Tires and Baja T/A® KR2 Trademarks are used under License from Michelin

Trophy Truck and SCORE are registered trademarks of SCORE International and used under license.

AX90068-1001
2803874